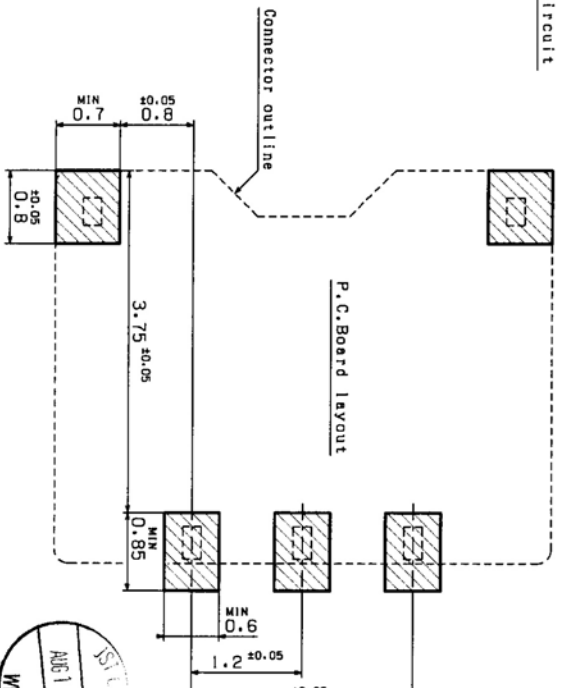
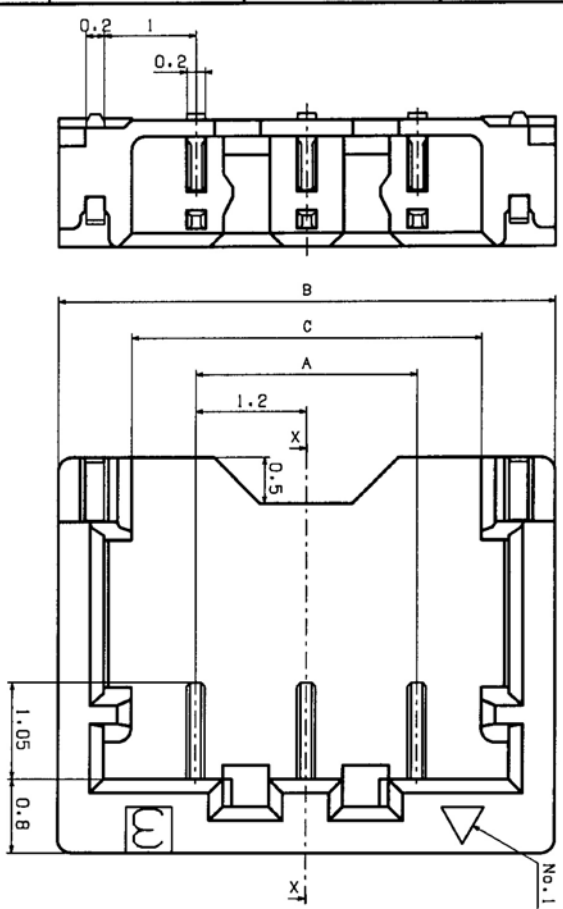


REV#	DESCRIPTION	DATE	DESIGNED



Part No.	Dimension		
	A	B	C
BM02B-ACH () S-GAN (LF) (SN)	1.2	4.2	2.6
BM03B-ACH () S-GAN (LF) (SN)	2.4	5.4	3.8

Part No.	Color
BM () B-ACHSS-GAN (LF) (SN)	Natural (Ivory)
BM () B-ACHKS-GAN (LF) (SN)	Black

3	REINFORCEMENTS	COPPER ALLOY	COPPER-UNDERPLATED TIN-PLATED	±0.2
2	WAFER	HEAT RESISTING RESIN	UL94V-0	
1	BASE CONTACT	COPPER ALLOY	NICKEL-UNDERPLATED GOLD-PLATED (ENGL-STRIPES) SURFACE FINISH	±0.2

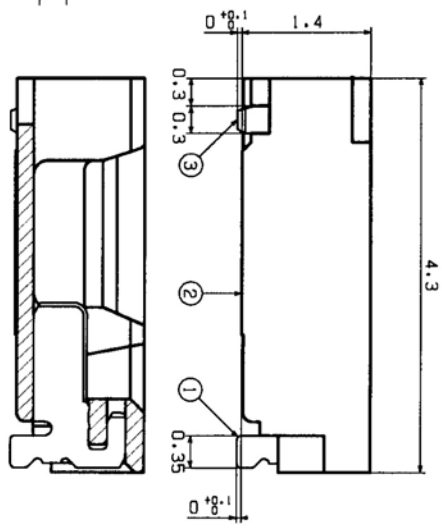
SIZE	UNIT	SCALE	PROTECTION DATE	CUSTOMER
A3	METRIC	20:1	JAN.28.2005	ACH CONNECTOR

APPROVED	CHECKED	DESIGNED	DRAWN	SERIES NAME	PART No.	DRAWING No.
M.H	Y.U	K.M		ACH CONNECTOR	BM () B-ACH () S-GAN (LF) (SN)	KRD-36213

JST J.S.T.MFG.CO.,LTD.

THIS DRAWING CONTAINS INFORMATION THAT IS PROPRIETARY TO J.S.T. AND SHOULD NOT BE USED WITHOUT WRITTEN PERMISSION.

NOTE
1. Unless otherwise specified, tolerances are ±0.3

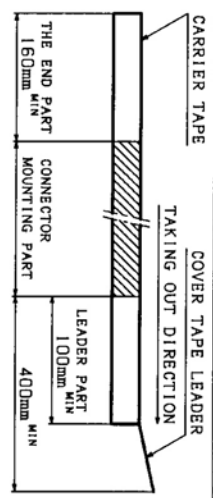


EC4109-2

REV	DESCRIPTION	DATE	DESIGNED

NOTE

- 1.Connector part:See the DWG. of ACH Connector.
- 2.Quantity to be packaged:4500pcs/reel
- 3.Leading tape length.

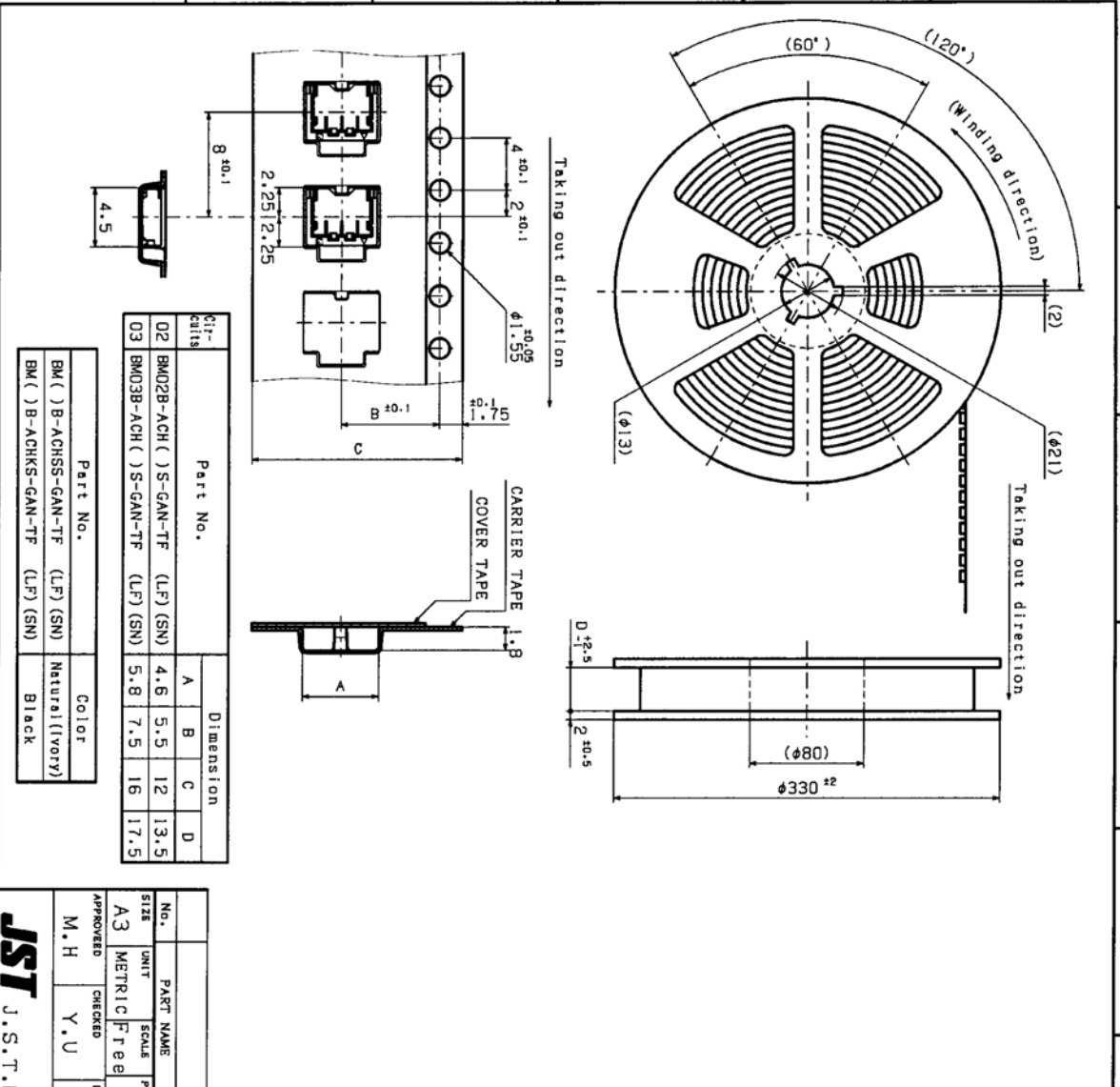


4.Cover tape peel strength:0.1~1N
COVER TAPE
165~180°



5.Material:Carrier tape:Polyester(PET)
Cover tape :Polyester(PET)
Reel:Flange:Polystyrene(PS)
Core :Polypropylene(PP)
:Polystyrene(PS)

6.Unless otherwise specified,
tolerances are:±0.3



Part No.	Dimension			
	A	B	C	D
02 BM02B-ACH () S-GAN-TF (LF) (SN)	4.6	5.5	12	13.5
03 BM03B-ACH () S-GAN-TF (LF) (SN)	5.8	7.5	16	17.5

Part No.	Color
BM () B-ACHSS-GAN-TF (LF) (SN)	Natural(Ivory)
BM () B-ACHKS-GAN-TF (LF) (SN)	Black

No.	PART NAME	MATERIAL	SURFACE FINISH	REMARKS
A3	METRIC Free			
APPROVED	CHECKED	DESIGNED	DRAWN	
M.H	Y.U	K.M		
PRODUCTION DATE	JAN.28.2005	CUSTOMER		
SERIES NAME	ACH CONNECTOR EMBOSSED-TAPING PRODUCT			
PART No.	BM () B-ACH () S-GAN-TF (LF) (SN)			
DRAWING No.	KRD-36212			RD

THIS DRAWING CONTAINS INFORMATION THAT IS PROPRIETARY TO J.S.T. AND SHOULD NOT BE USED WITHOUT WRITTEN PERMISSION.