

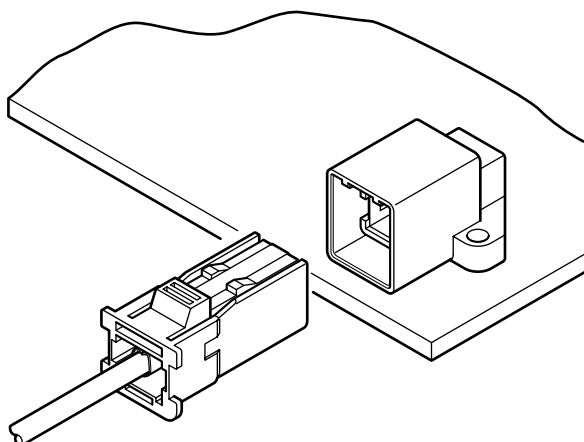
CN CONNECTOR

Disconnectable Crimp style connectors

(Combined use for both wire-to-board and wire-to-wire connections)



Connector for the GPS antenna system of the car navigation system. The CN connector applies the unique crimping method to the shielding meshed wires, which will result in superior high-frequency characteristics.



Features

• **Cost effective**

Less expensive than the conventional high-frequency connectors.

• **Crimping method and shape**

Shielding meshed wires are crimped with the N-type crimp shape, which prevents the deflection and coming off of the meshed wires.

• **Superb high-frequency characteristics**

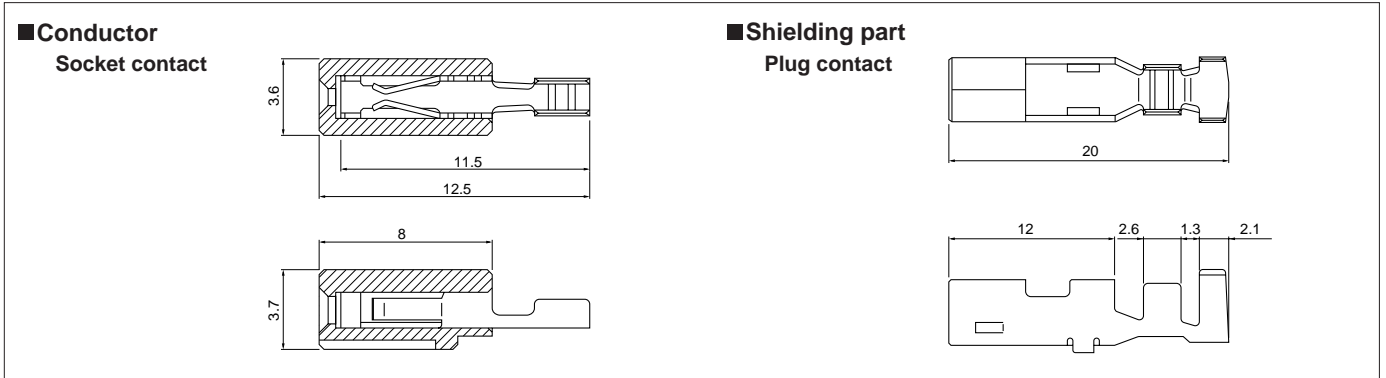
This connector can keep low VSWR characteristics, while serving high-frequency characteristics.

Specifications

- Current rating: 1.0 A AC, DC (AWG #25)
 - Voltage rating: 250 V AC, DC
 - Temperature range: -30°C to +105°C
(including temperature rise in applying electrical current)
 - Contact resistance: Initial value/ 30 mΩ max.
After environmental tests/ 60 mΩ max.
 - Insulation resistance: 100 MΩ min.
 - Withstanding voltage: 1,000 VAC/minute
- * Refer to "General Instruction and Notice when using Terminals and Connectors" at the end of this catalog.
* Contact JST for details.
* Compliant with RoHS.

CN CONNECTOR

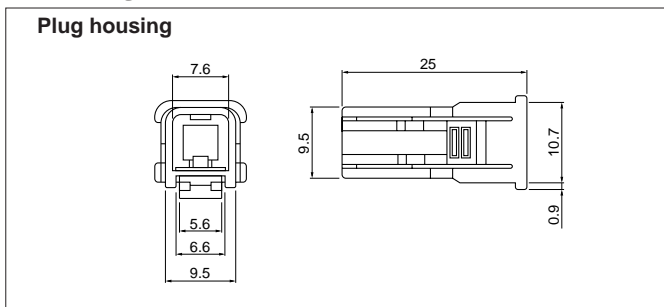
Contact



Part name		Model No.	Q'ty/reel	Material and Finish
Conductor	Socket contact	CN-SAS1290	4,000	Phosphor bronze, tin-plated (reflow treatment)
Shielding part	Plug contact	SCM-61T-4.6	1,500	Brass, tin-plated (reflow treatment)

RoHS compliance

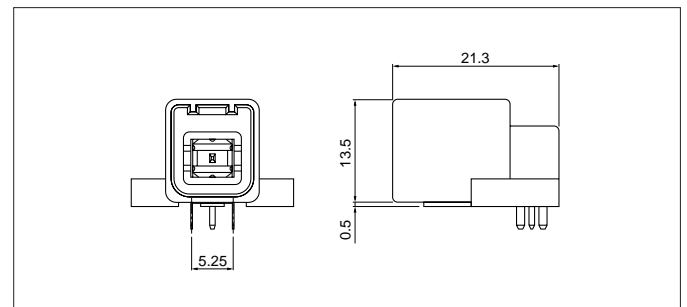
Housing



Model No.	Q'ty/box	Material
CNP-01V	1,000	Glass-filled PBT, UL94V-0

RoHS compliance

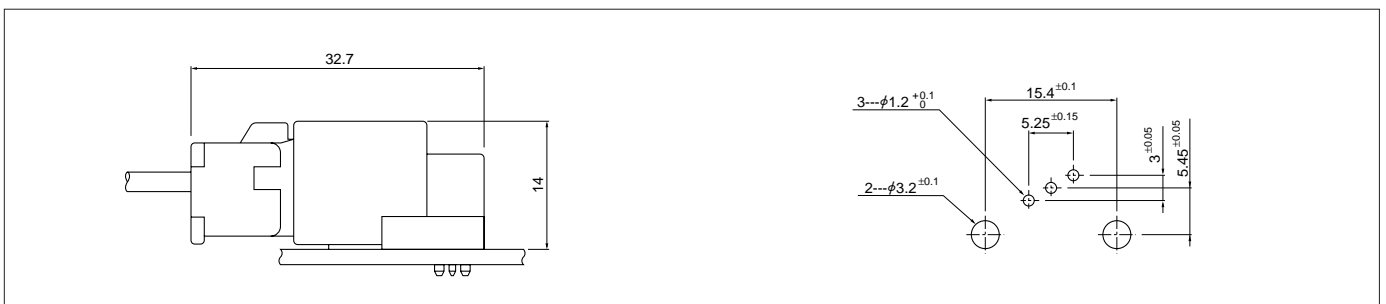
Shrouded header



Model No.	Q'ty/box	Material and Finish
CNB-01AH	120	Contact: Brass, tin-plated (reflow treatment) Housing: Glass-filled PBT, UL94V-0, gray

RoHS compliance

PC board layout (viewed from component side) and Assembly layout



Note: 1. Tolerances are non-cumulative: ± 0.05 mm for all centers.
2. Hole dimensions differ according to the type of PC board and piercing method.
The dimensions above should serve as a guideline. Contact JST for details.

Crimping machine, Applicator

Conductor	Crimping machine	Crimp applicator	Dies	Crimp applicator with dies
CN-SAS1290	AP-K2N	MKS-L	MK/CN-SAP/S1	APLMK CN-SAP/S1

Crimp tool (Pneumatic press)

Shielding part	Contact	Crimp tool	Control unit
BCM-61T-4.6 (loose piece)		MP-CN-BCM61	-
SCM-61T-4.6 (chain)		MP-CN-SCM61	MP-CU-CN (S)