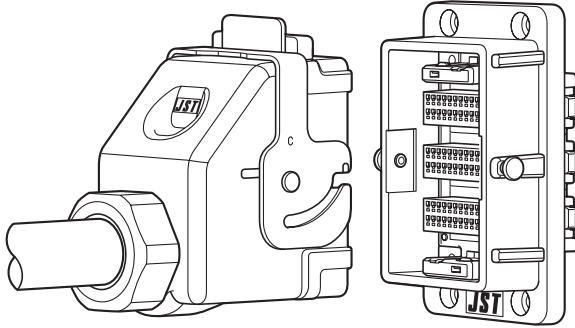




JFA CONNECTOR METAL SHELL SERIES

Wire-to-wire connectors (For Interface)



Metal shell type I/O connector which contacts are used also with JFA connector J2000 series and J300 series.

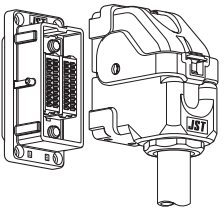
- ***Applicable contact and tooling can be unified***
- ***Rigid metal shell***
- ***Waterproof performance***
- ***Misinsertion prevention***

- * In using the products, refer to "Handling Precaution for Terminal and Connector" described on our website (Technical documents of Product information page).
- * Contact JST for details.
- * RoHS compliance.

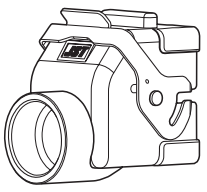
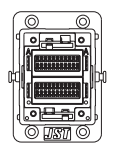
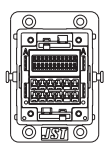
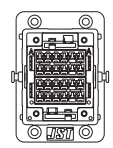
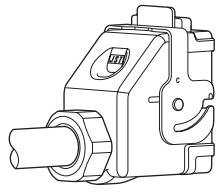
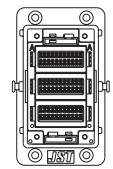
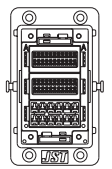
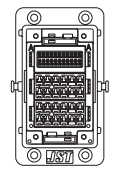
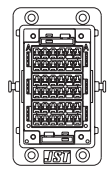
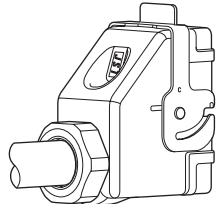
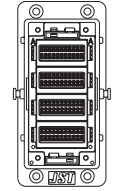
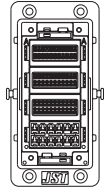
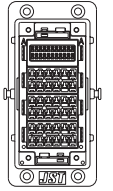
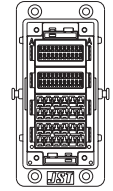
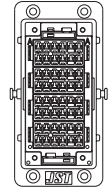
JFA CONNECTOR/METAL SHELL SERIES

List of metal shell

J2900

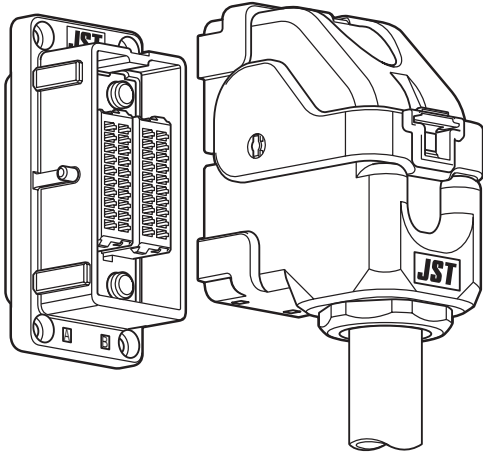
Connector series	J2000 series 40P
J2900	
Circuits	20P x 2 pcs.

JFA-M

Type	Shell	Hybrid type			
2 Module		J2000(22P) × 2	J2000(22P) × 1 + J300(12P) × 1	J300(12P) × 2	
					
Circuits		44P	34P	24P	
3 Module		J2000(22P) × 3	J2000(22P) × 2 + J300(12P) × 1	J2000(22P) × 1 + J300(12P) × 2	J300(12P) × 3
					
Circuits		66P	56P	46P	36P
4 Module		J2000(22P) × 4	J2000(22P) × 3 + J300(12P) × 1 J2000(22P) × 1 + J300(12P) × 1	J2000(22P) × 2 + J300(12P) × 2	J300(12P) × 4
			 		
Circuits		88P	78P, 58P	68P	48P



JFA CONNECTOR J2900 SERIES



This connector is a metal shell type I/O connector and it's completely waterproof. Contacts are designed to be common use with JFA connector J2000 series.

- ***Rigid metal shell***
- ***Easy mating operation***

Specifications

- Current rating: 3 A max. AC, DC
 - Voltage rating: 250 V AC, DC
 - Temperature range: -55°C to +105°C
(including temperature rise in applying electrical current)
 - Withstanding voltage: 1,500 VAC/minute
 - Applicable wire: AWG #28 to #20 (0.08 to 0.75 mm²)
 - Cable O.D.: 11.1 to 13.5 mm
- * In using the products, refer to "Handling Precaution for Terminal and Connector" described on our website (Technical documents of Product information page).
* Contact JST for details.
* RoHS compliance.

Standards

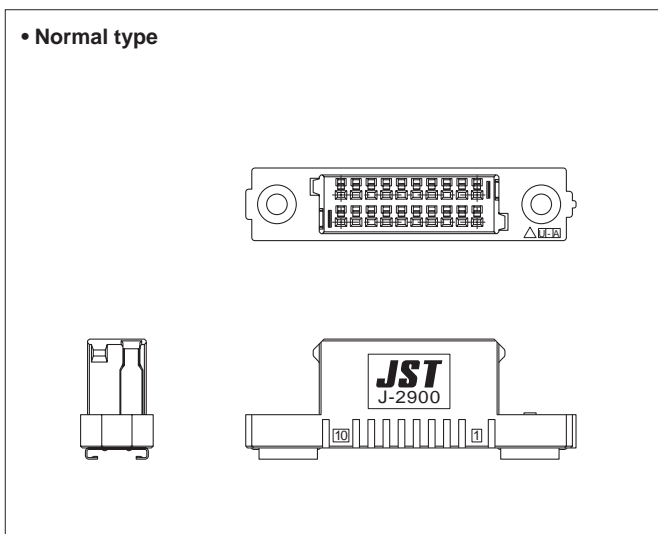
 Recognized E60389

 R 50354834

METAL SHELL SERIES/J2900

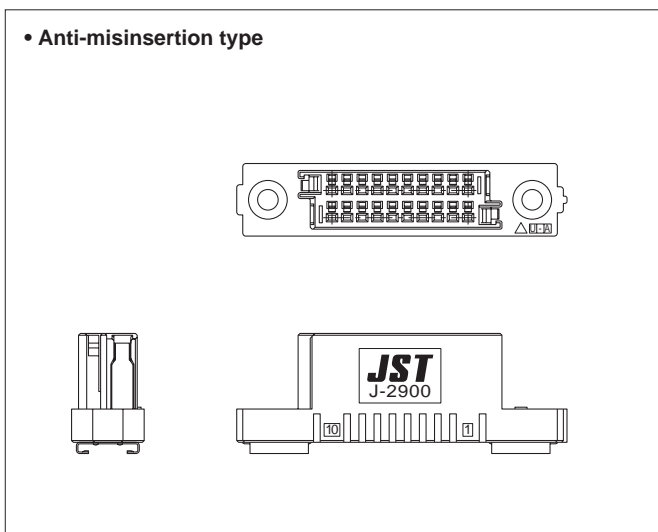
Receptacle housing assembly

• Normal type



Circuits	Model No.	Q'ty/bag
20	J29FA-20-K	70

• Anti-misinsertion type

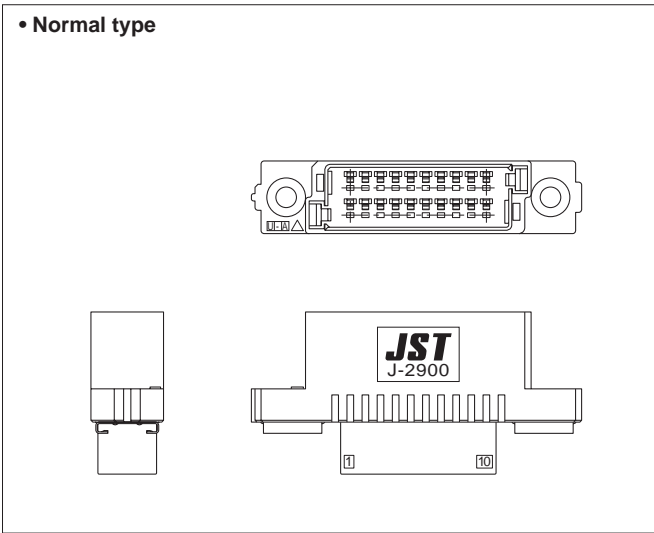


Circuits	Model No.	Q'ty/bag
20	J29FA-20-H-1	70

METAL SHELL SERIES/J2900

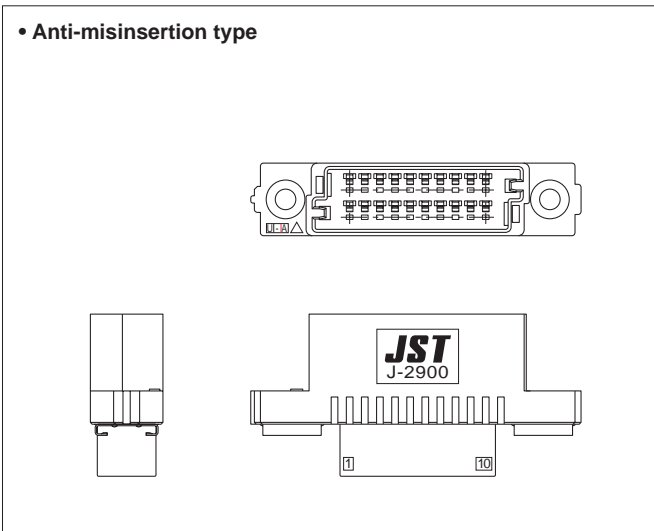
Tab housing assembly

• Normal type



Circuits	Model No.	Q'ty/bag
20	J29MA-20-K	70

• Anti-misinsertion type



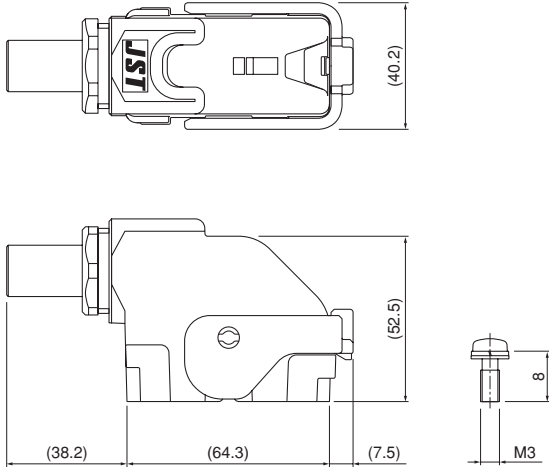
Circuits	Model No.	Q'ty/bag
20	J29MA-20-H-1	70

METAL SHELL SERIES/J2900

Wire side

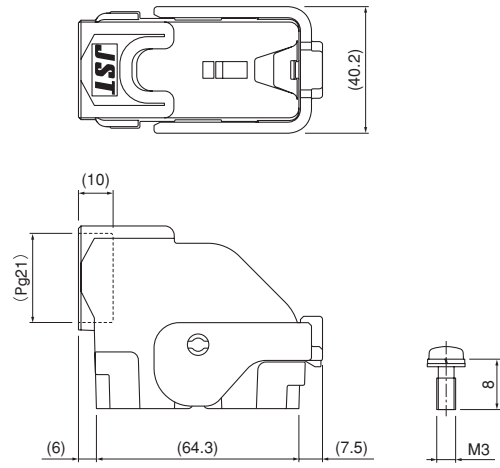
Shell kit

• Normal type



Model No.	Q'ty/bag
J29WK-K-1	30

• For Pg21

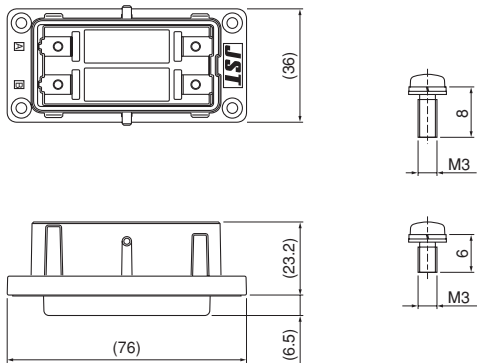


Pg21 screw mounting product (for flexible tubing, etc.)

Model No.	Q'ty/bag
J29WK-K-A	35

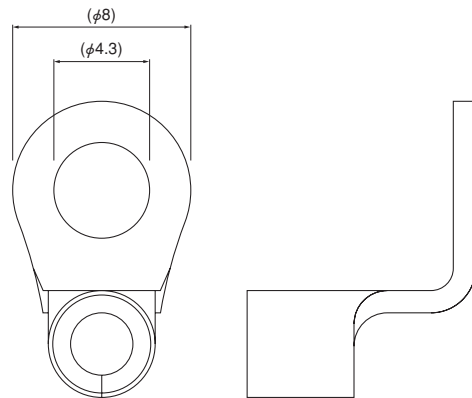
Panel side

Shell kit



Model No.	Q'ty/bag
J29PK-K	35

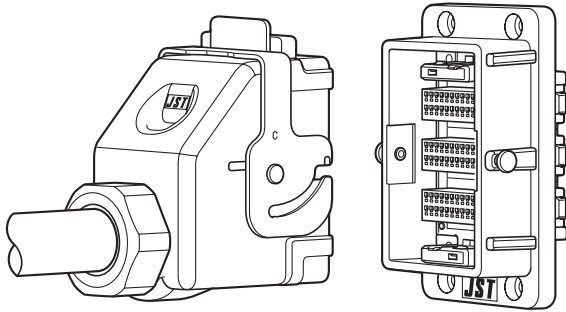
• Ground terminal



Model No.	Q'ty/bag
L3.5-R4	1,000



JFA CONNECTOR JFA-M SERIES



Metal shell type connector which contacts are designed to be common use with JFA connector J2000 series and J300 series.

- ***Rigid metal shell***
- ***Lever (3 and 4 module type) provides easy mating and unmating connector***
- ***Combination of modular housing***

Specifications

- Current rating: 2.5 A AC, DC (J2000 series)
5.0 A AC, DC (J300 series)
- Voltage rating: 250 V AC, DC (J2000 series)
600 V AC, DC (J300 series)
- Temperature range: -55°C to +105°C
(including temperature rise in applying electrical current)
- Withstanding voltage: 1,500 VAC/minute (J2000 series)
2,200 VAC/minute (J300 series)

* In using the products, refer to "Handling Precaution for Terminal and Connector" described on our website (Technical documents of Product information page).

* Contact JST for details.

* RoHS compliance.

Standards

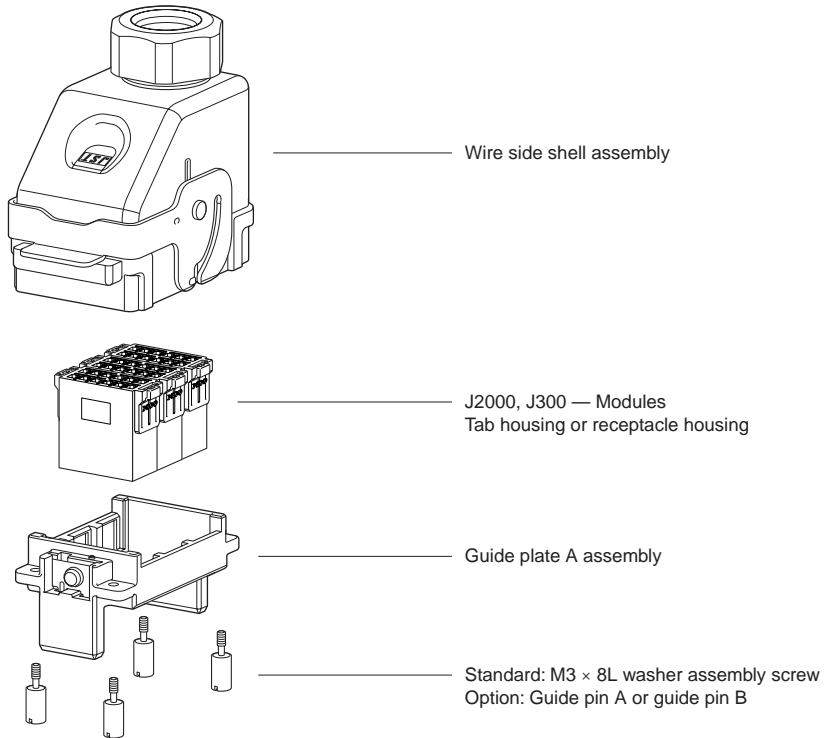
 Recognized E60389

METAL SHELL SERIES/JFA-M

Components

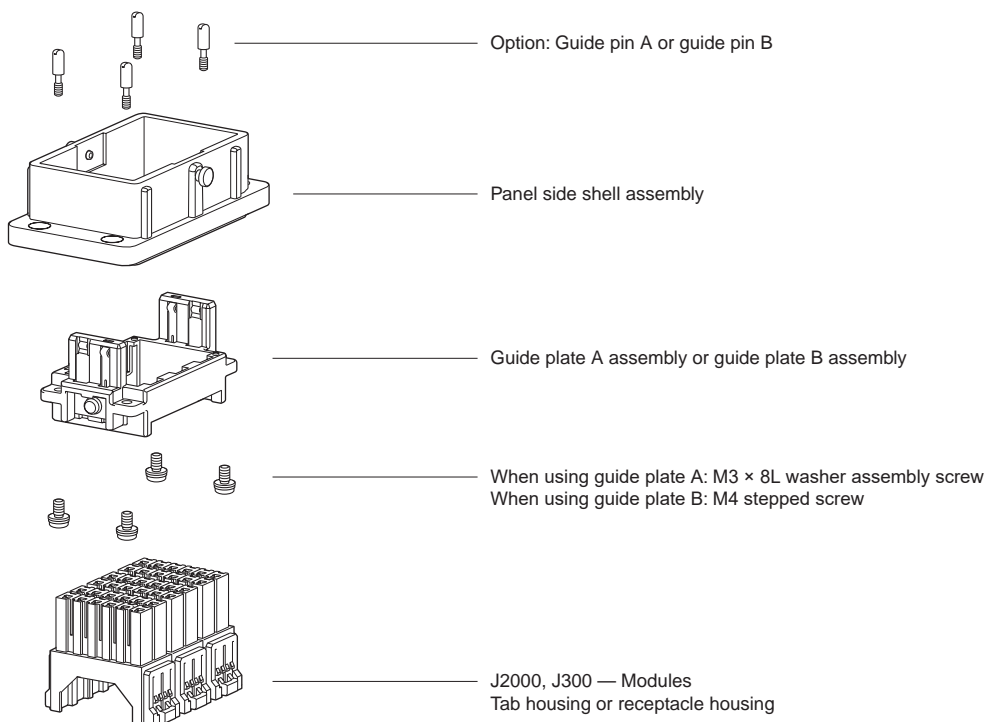
Wire side

Shell assembly



Panel side

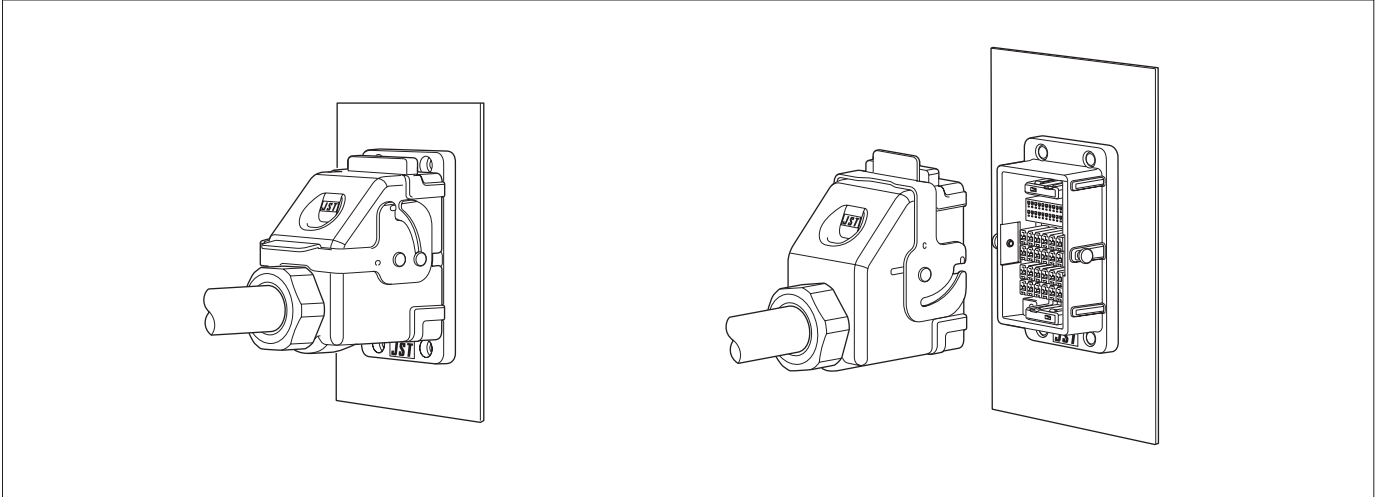
Shell assembly



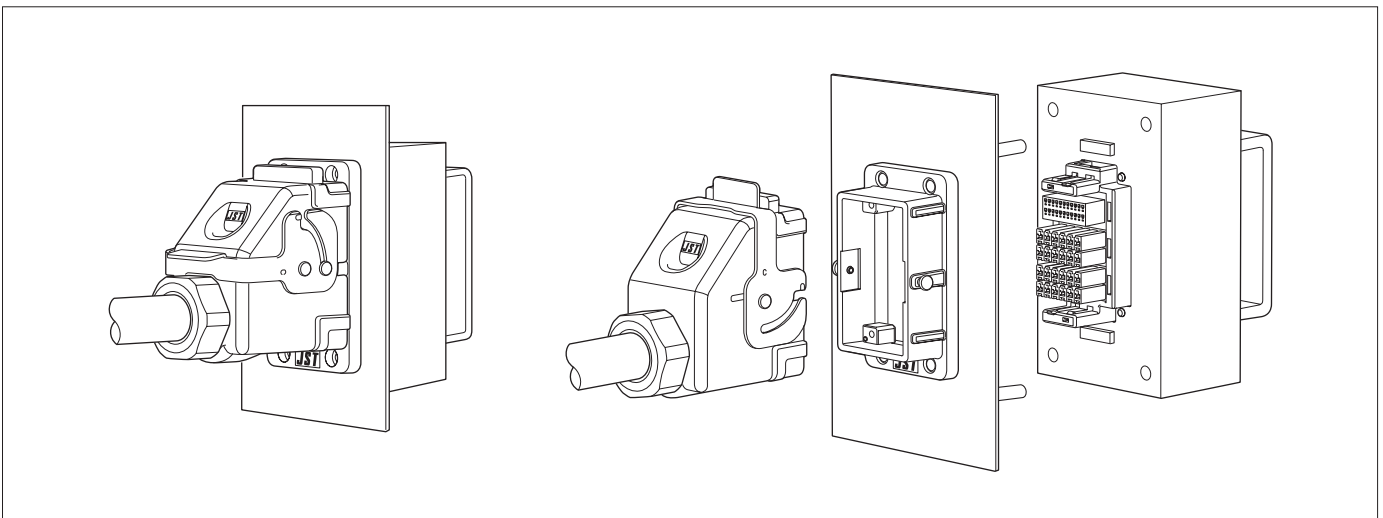
METAL SHELL SERIES/JFA-M

Examples of use

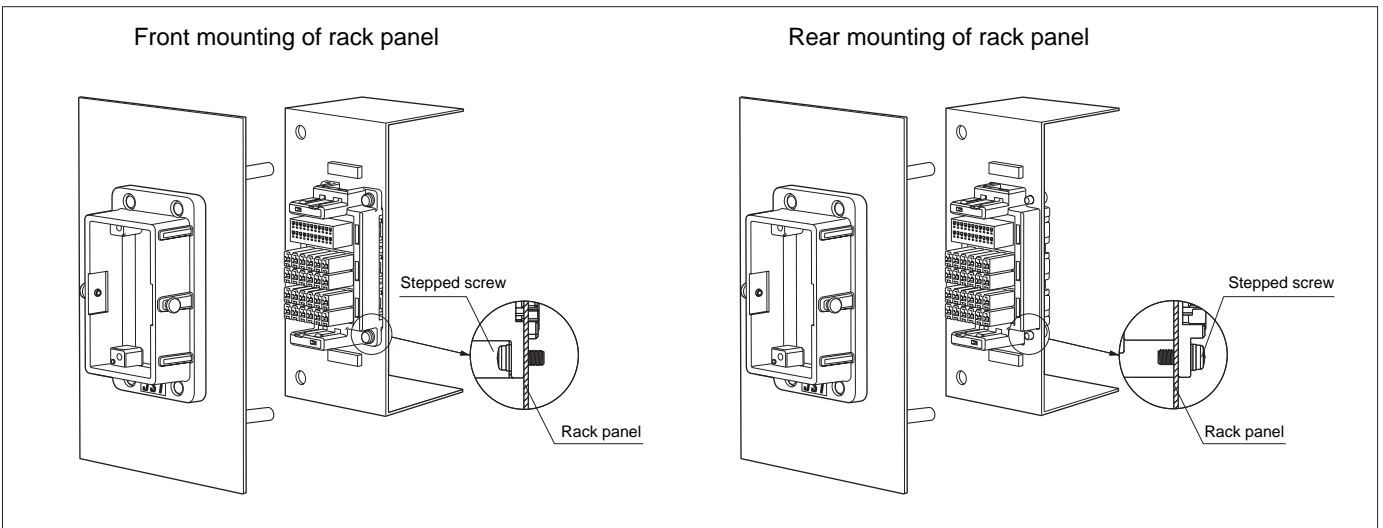
Waterproof I/O connector



Drawer type



Drawer type (Rack mounting method)

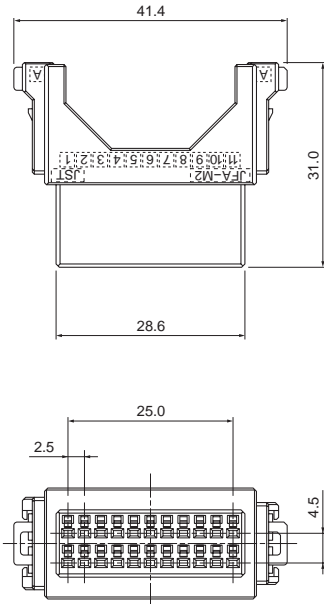


METAL SHELL SERIES/JFA-M

J2000 series housing (Used for both panel mounting and drawer type)

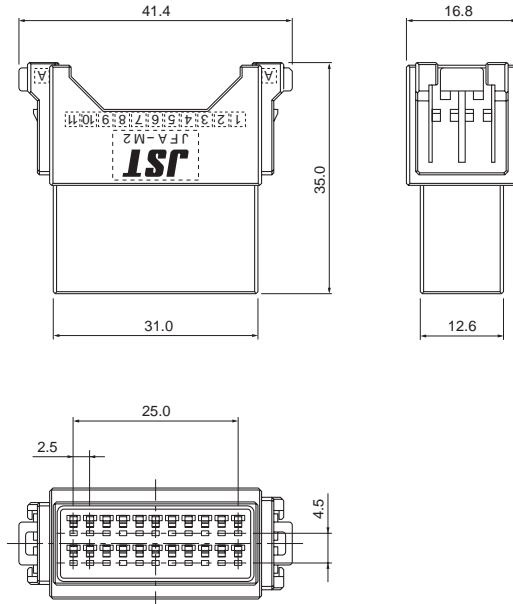
• Receptacle housing

JFM2FDN-22V-K



• Tab housing

JFM2MDN-22V-K



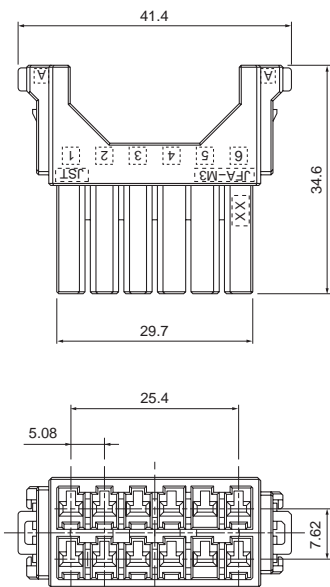
RoHS compliance

Note: Refer to J2000 series contact.

J300 series housing (Used for both panel mounting and drawer type)

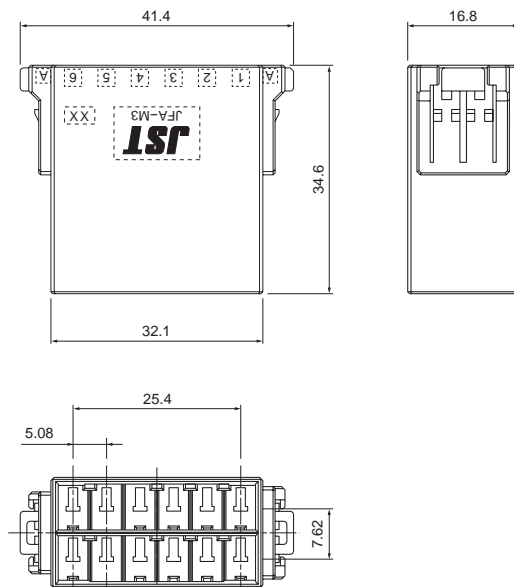
• Receptacle housing

JFM3FMN-12V-K



• Tab housing

JFM3MMN-12V-K



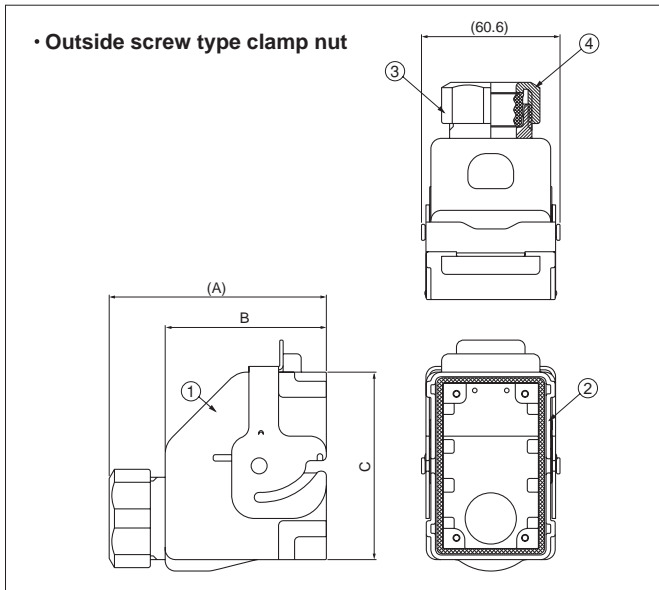
RoHS compliance

Note: Refer to J2000 series for J300 series contact.

METAL SHELL SERIES/JFA-M

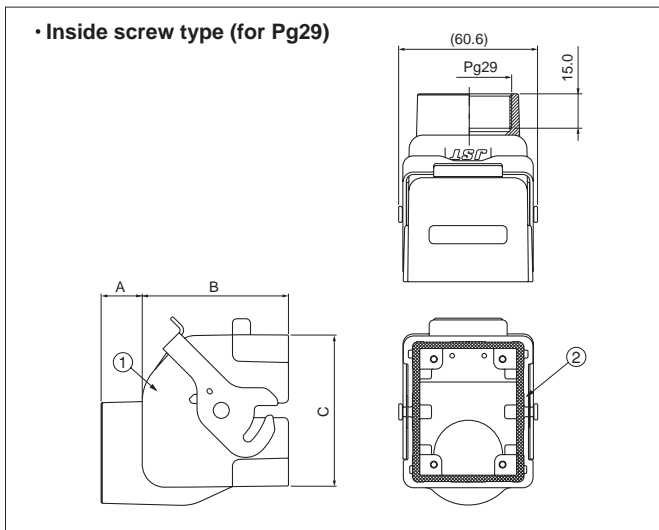
Wire side

Shell assembly



No. of combining housing	Model No.	Dimensions (mm)		
		A	B	C
3 module	JFM-WSA-3-B	(95.0)	70.5	82.0
4 module	JFM-WSA-4-A	(103.5)	79.0	99.0

No.	Parts name	Q'ty
①	Wire side shell	1
②	Seal ring	1
③	Clamp nut	1
④	Clamp rubber	1

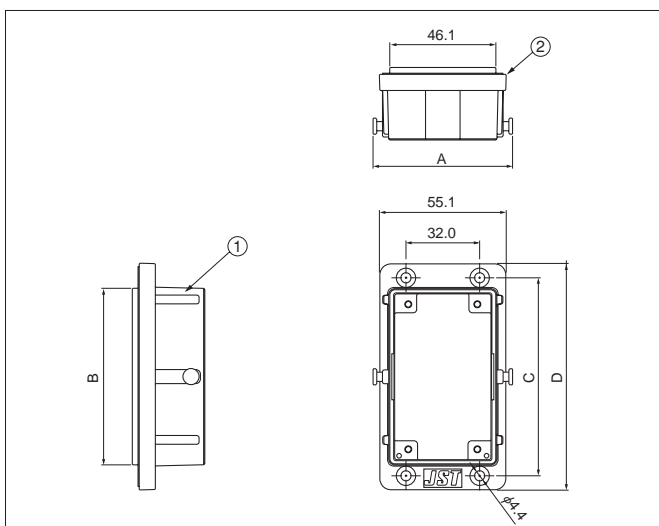


No. of combining housing	Model No.	Dimensions (mm)		
		A	B	C
2 module	JFM-WSA-2-1	18.0	64.0	66.2

No.	Parts name	Q'ty
①	Wire side shell	1
②	Seal ring	1

Panel side

Shell assembly

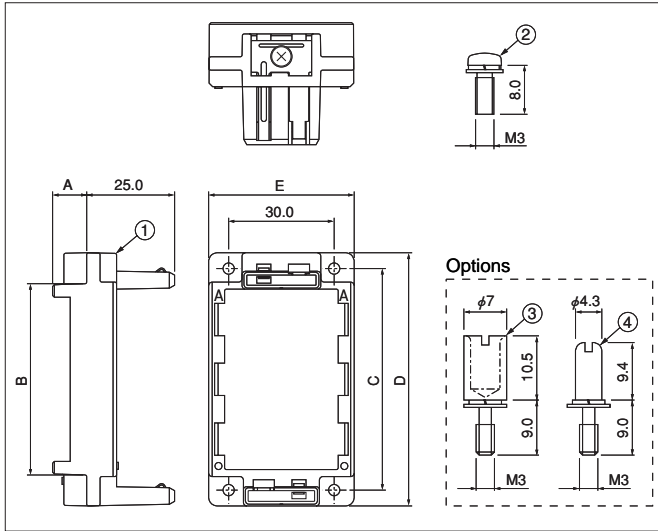


No. of combining housing	Model No.	Dimensions (mm)			
		A	B	C	D
2 module	JFM-PSA-2	(60.5)	59.7	69.0	81.5
3 module	JFM-PSA-3	(60.6)	76.7	86.0	98.5
4 module	JFM-PSA-4	(60.6)	93.7	103.0	115.5

No.	Parts name	Q'ty
①	Panel side shell	1
②	Seal rubber plate	1

METAL SHELL SERIES/JFA-M

Guide plate A (With the combination of wire side and panel side shell assembly)



No. of combining housing	Model No.	Dimensions (mm)				
		A	B	C	D	E
2 module	JFM-GPAK-2	9.6	37.4	46.0	54.8	41.9
3 module	JFM-GPAK-3	9.7	54.4	63.0	72.0	41.4
4 module	JFM-GPAK-4	9.7	71.4	80.0	89.0	41.4

No.	Parts name	Model No.	Q'ty
①	Guide plate A	—	1
②	Washer assembly screw	—	4
③	Guide pin A	JFM-PIA3-N	—
④	Guide pin B	JFM-PIB3-N	—

Note: Guide pin A and guide pin B are option.

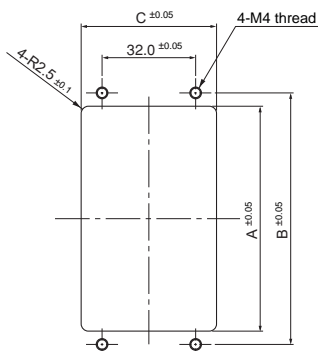
List of combinations of guide pin A and guide pin B (Shell mounting pattern at panel side)

No. of guide pin	Pattern 1	Pattern 2	Pattern 3	Pattern 4	Pattern 5	Pattern 6
Guide pin A : 0 Guide pin B : 4						
Guide pin A : 1 Guide pin B : 3						
Guide pin A : 2 Guide pin B : 2						
Guide pin A : 3 Guide pin B : 1						
Guide pin A : 4 Guide pin B : 0						

Note: Shell mounting pattern at wire side becomes opposite to the above pattern.

Panel cut dimension

• Panel side shell mounting

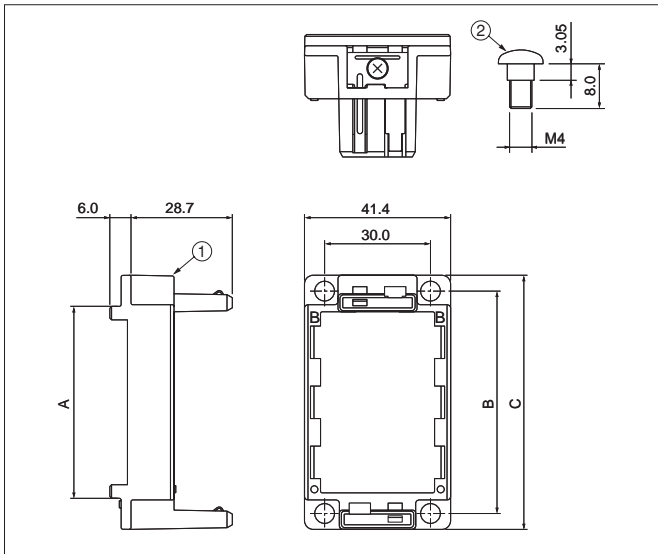


Note: When thread and prepared hole penetrate, use sealing material on the back side of panel.

No. of combining housing	Dimensions (mm)		
	A	B	C
2 module	60.0	69.0	46.4
3 module	76.9	86.0	46.3
4 module	93.9	103.0	46.3

METAL SHELL SERIES/JFA-M

Guide plate B

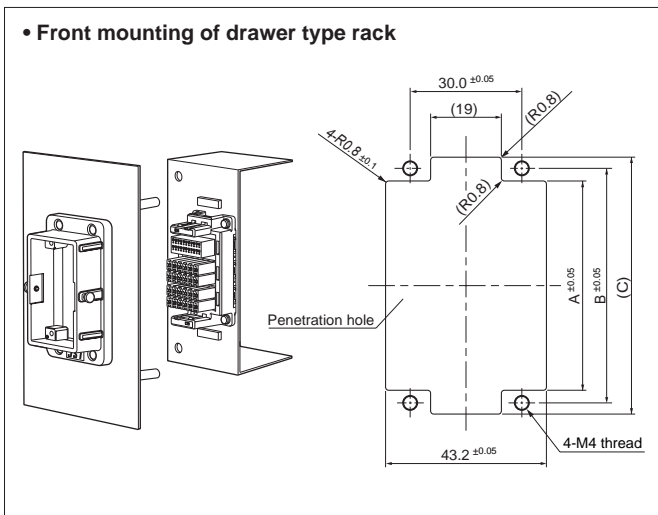


No. of combining housing	Model No.	Dimensions (mm)		
		A	B	C
3 module	JFM-GPBK-3	54.4	63.0	72.0
4 module	JFM-GPBK-4	71.4	80.0	89.0

No.	Parts name	Q'ty
①	Guide plate B	1
②	M4 stepped screw	4

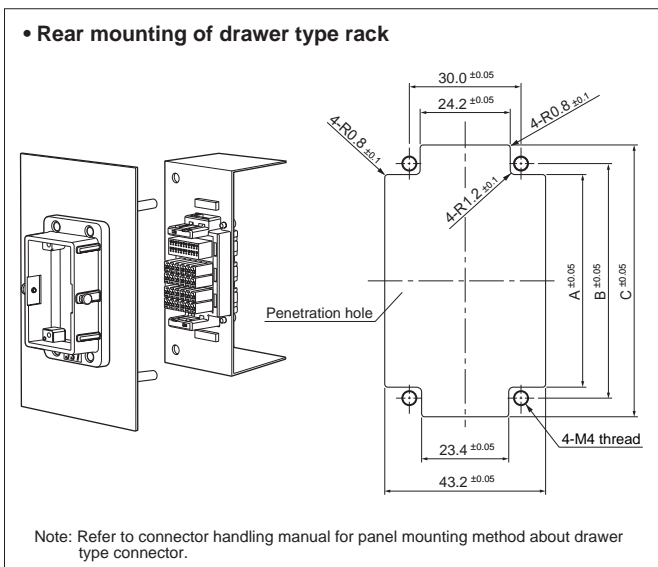
Panel cut dimension

• Front mounting of drawer type rack



No. of combining housing	Dimensions (mm)		
	A	B	C
3 module	56.2	63.0	69.0
4 module	73.2	80.0	86.0

• Rear mounting of drawer type rack



No. of combining housing	Dimensions (mm)		
	A	B	C
3 module	57.1	63.0	73.0
4 module	74.1	80.0	90.0

Note: Refer to connector handling manual for panel mounting method about drawer type connector.