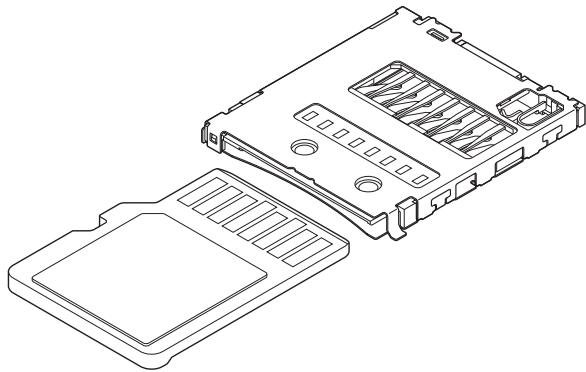


SDHR CONNECTOR

For Micro SD card Push-Push type



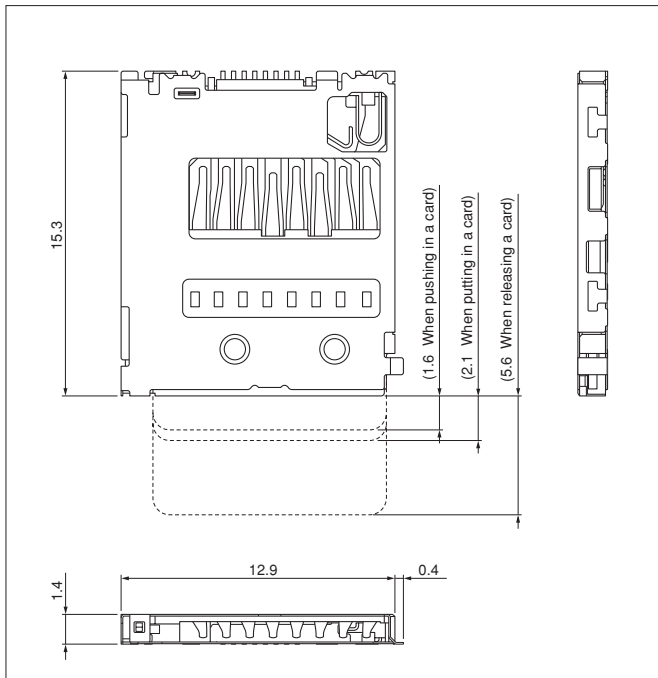
This is the connector for micro SD card in which mounting height of 1.45 mm maximum is kept and push-push mechanism is adopted.

Specifications

- Current rating: 0.5 A AC, DC
- Voltage rating: 100 V AC, DC
- Temperature range: -25°C to +85°C
(including temperature rise in applying electrical current)
- Contact resistance: Initial value/ 100 mΩ max.
After environmental tests/ 80 mΩ max.
(variation from initial value)
- Insulation resistance: 1,000 MΩ min.
- Withstanding voltage: Initial; 500 VAC/minute
After humidity test; 300 VAC/minute
- Applicable card: Micro SD card

- * Refer to "General Instruction and Notice when using Terminals and Connectors" at the end of this catalog.
- * Contact JST for details.
- * Compliant with RoHS.

Connector



| Model No. | Q'ty/reel |
|------------------------------|-----------|
| SDHR-8BRS-K-363-A0-S-ETB(HF) | 2,000 |

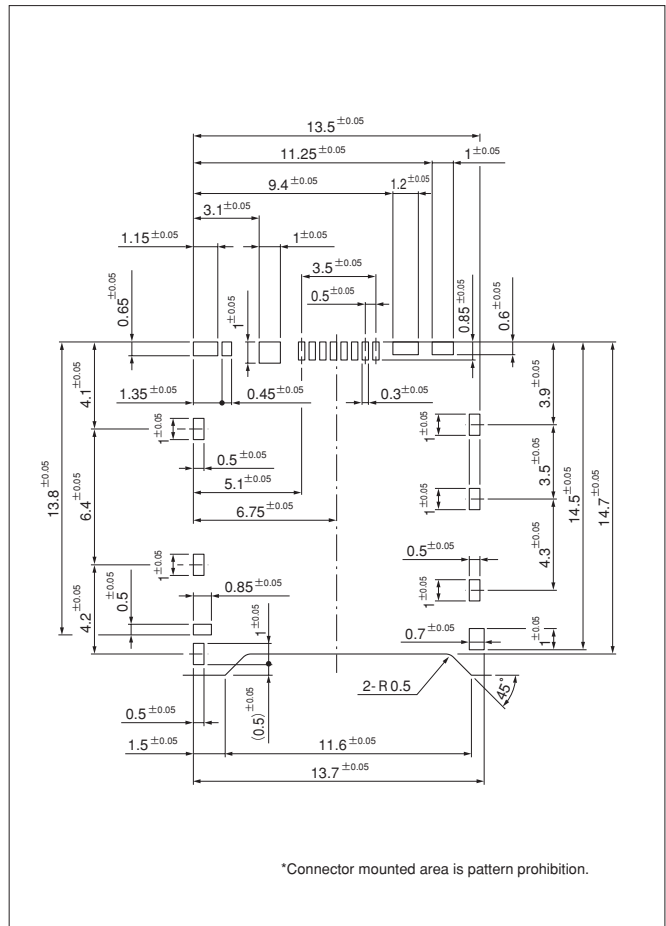
Material and Finish

Contact: Copper alloy, nickel-undercoated, gold-plated
Housing: Heat resisting resin, black
Shell: Stainless, nickel-undercoated, gold-plated
Card stopper, Crank pin, Spring: Stainless

RoHS compliance

The product listed above are supplied on embossed-tape.

PC board layout



*Connector mounted area is pattern prohibition.