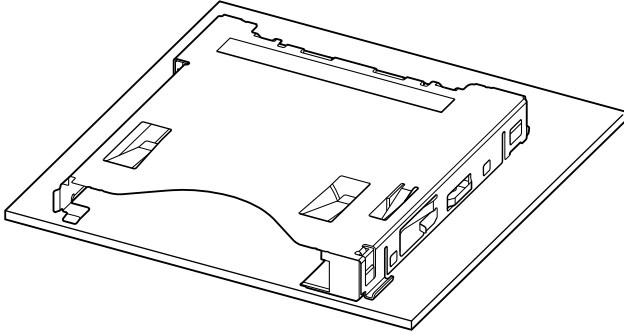




# XCC CONNECTOR

Connector for CFexpress card (Type B)/XQD card



This is a card push type connector designed for CFexpress card (Type B) and XQD card.

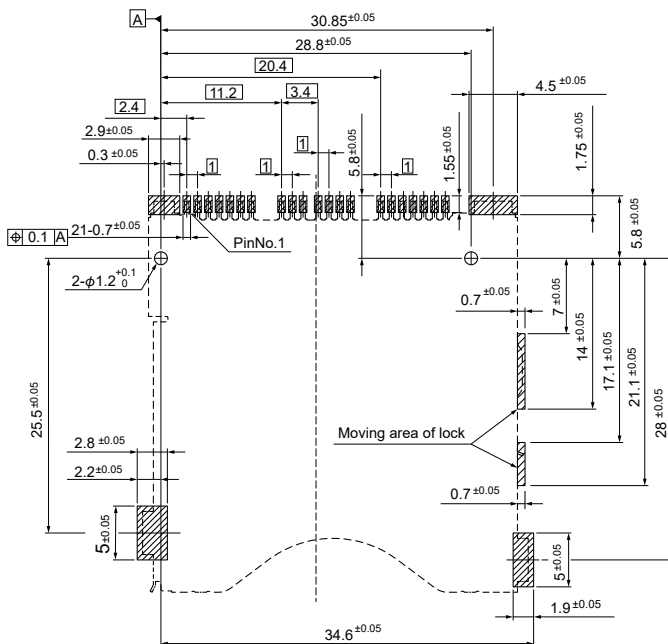
- Designed for CFexpress card (Type B)
- Designed for XQD card
- Stable transmission characteristics and Conforming to CFexpress 1.0/PCIe 3.0.
- Card eject system: Card push method
- With the prevention mechanism for the card pop-out

## Specifications

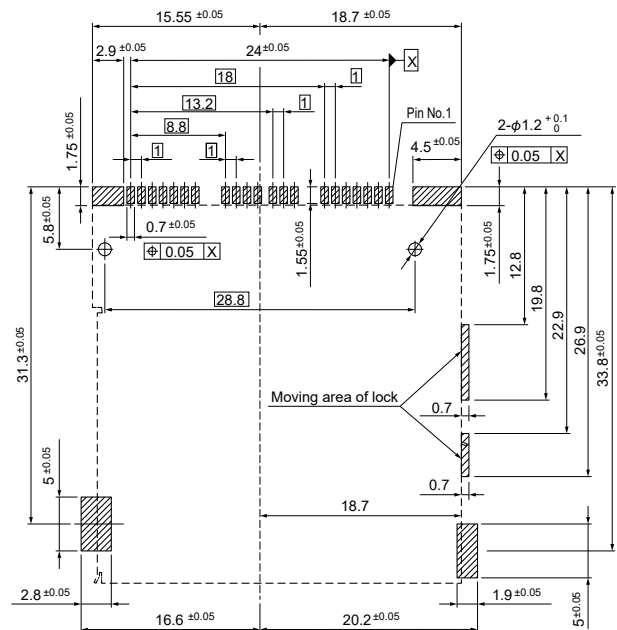
- Current rating: 1.2 A AC/DC for pin No. 10  
0.5 A AC/DC for other pins than pin No. 10
  - Temperature range: -25°C to +85°C  
(including temperature rise in applying electrical current)
  - Contact resistance: Initial value/ 40 mΩ max.  
After environmental tests/ 55 mΩ max.
  - Insulation resistance:  
Initial/ 1,000 MΩ min. when applying 500 VDC  
After environmental tests/ 100 MΩ min. when applying 500 VDC
  - Withstanding voltage: 500 VAC/minute
  - Guarantee of repeated mating/unmating performance: 12,000 cycles
  - Applicable card:  
Card conforming to CFexpress card (Type B) standard  
Card conforming to XQD card standard
- \* In using the products, refer to "Handling Precaution for Terminal and Connector" described on our website (Technical documents of Product information page).
- \* Contact JST for details.
- \* RoHS2 compliance

## PC board layout

### Normal

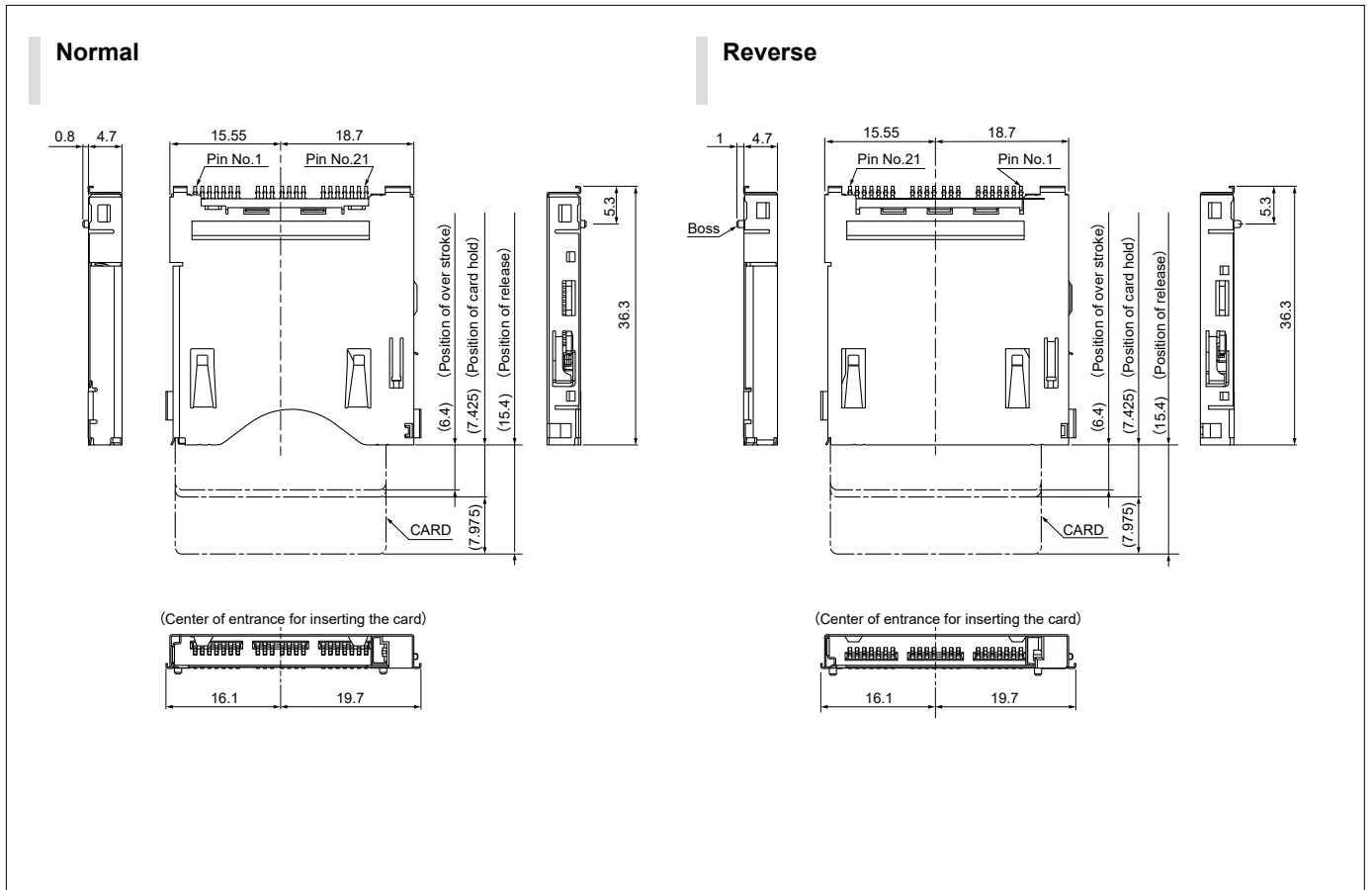


### Reverse



Note: 1. The above figure is the figure viewed from the connector mounting side.  
2. Tolerances are non-cumulative: 0.03 mm for all centers.  
The dimensions above should serve as a guideline. Contact JST for details.

## Card push type



No. of circuits	Type	Boss presence/absence	Model No.	Q'ty/box	Material and Finish
21	Normal	With boss	<b>XCC-HC21SR-S532-N1401(LF)(SN)</b>	1,040	Contact: Copper alloy, nickel-undercoated, Contact part: gold-plated Soldered part: gold-plated Housing: Heat-resistant resin, UL94V-0, black Frame: Stainless, nickel-undercoated, tin-plated (reflow treatment) Push lever: Heat-resistant resin, UL94V-0, black Lock: Copper alloy, nickel-plated Guide pin: Stainless Spring lock: Stainless
	Reverse	With boss	<b>XCC-HC21SR-S532-R1101(LF)(SN)</b>		
		Without boss	<b>XCC-HC21SR-S532-R1201(LF)(SN)</b>		

RoHS2 compliance