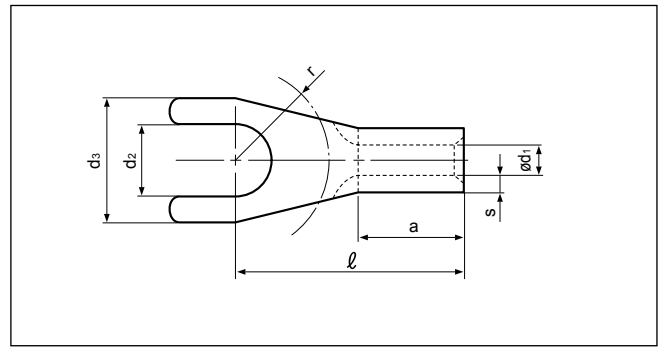
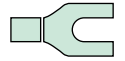


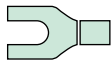
# SPADE TONGUE *Non-insulated*



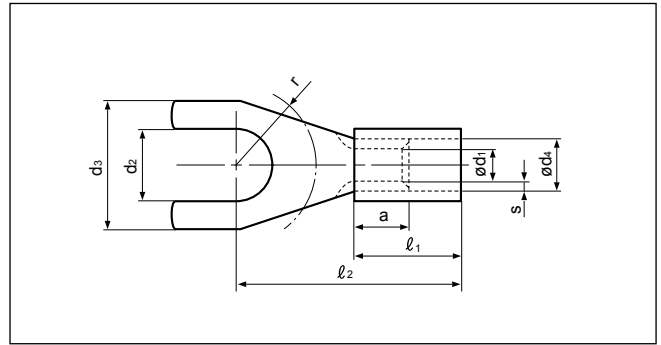
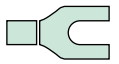
| Applicable Wire<br>mm <sup>2</sup> | Stud Size<br>Metric | Part No.           | Nominal<br>Size | Dimensions mm (in.) |                 |             |             |               |                 |               | Tool No.   | Qty/box |
|------------------------------------|---------------------|--------------------|-----------------|---------------------|-----------------|-------------|-------------|---------------|-----------------|---------------|------------|---------|
|                                    |                     |                    |                 | ød <sub>2</sub>     | ød <sub>3</sub> | r           | ℓ           | a             | ød <sub>1</sub> | s             |            |         |
| 0.5 to 1                           | 3                   | <b>GS3-1C</b>      |                 | 3.2 (.126)          | 6.0 (.236)      | 4.5 (.177)  | 11.0 (.433) | 5.0 (.197)    | 1.6<br>(.063)   | 0.8<br>(.031) | WC-0510DIN | 2,000   |
|                                    | 3                   | <b>GS3L-1C</b>     |                 | 3.2 (.126)          | 6.5 (.256)      | 3.5 (.138)  | 8.0 (.315)  | 4.0 (.157)    |                 |               |            |         |
|                                    | 3.5                 | <b>GS3.5-1C</b>    |                 | 3.7 (.146)          | 6.0 (.236)      | 4.5 (.177)  | 11.0 (.433) | 5.0 (.197)    |                 |               |            |         |
|                                    | 3.5                 | <b>GS3.5L-1C</b>   |                 | 3.7 (.146)          | 6.5 (.256)      | 3.5 (.138)  | 8.0 (.315)  | 4.0 (.157)    |                 |               |            |         |
|                                    | 4                   | <b>GS4M-1C</b>     |                 | 4.3 (.169)          | 6.8 (.268)      | 5.5 (.217)  | 11.0 (.433) | 5.0 (.197)    |                 |               |            |         |
|                                    | 4                   | <b>GS4-1C</b>      |                 | 4.3 (.169)          | 8.0 (.315)      | 6.0 (.236)  | 12.0 (.472) | 5.0 (.197)    |                 |               |            |         |
|                                    | 5                   | <b>GS5-1C</b>      |                 | 5.3 (.209)          | 10.0 (.394)     | 6.5 (.256)  | 13.0 (.512) | 5.0 (.197)    |                 |               |            |         |
|                                    | 6                   | <b>GS6-1C</b>      |                 | 6.5 (.256)          | 12.0 (.472)     | 10.0 (.394) | 17.0 (.669) | 5.0 (.197)    |                 |               |            |         |
|                                    | 8                   | <b>GS8-1C</b>      | 8.4 (.331)      | 12.0 (.472)         | 10.0 (.394)     | 17.0 (.669) | 5.0 (.197)  |               |                 |               | 1,000      |         |
| >1 to 2.5                          | 3                   | <b>GS3-2.5C</b>    |                 | 3.2 (.126)          | 6.0 (.236)      | 4.5 (.177)  | 11.0 (.433) | 5.0<br>(.197) | 2.3<br>(.091)   | 0.8<br>(.031) | WC-0510DIN | 2,000   |
|                                    | 3.5                 | <b>GS3.5L-2.5C</b> |                 | 3.7 (.146)          | 6.8 (.268)      | 4.5 (.177)  | 11.0 (.433) |               |                 |               |            |         |
|                                    | 4                   | <b>GS4S-2.5C</b>   |                 | 4.3 (.169)          | 6.8 (.268)      | 4.5 (.177)  | 11.0 (.433) |               |                 |               |            |         |
|                                    | 4                   | <b>GS4-2.5C</b>    |                 | 4.3 (.169)          | 8.0 (.315)      | 6.0 (.236)  | 12.0 (.472) |               |                 |               |            |         |
|                                    | 5                   | <b>GS5-2.5C</b>    |                 | 5.3 (.209)          | 10.0 (.394)     | 6.5 (.256)  | 14.0 (.551) |               |                 |               |            |         |
|                                    | 6                   | <b>GS6-2.5C</b>    |                 | 6.5 (.256)          | 11.0 (.433)     | 7.5 (.295)  | 16.0 (.630) |               |                 |               |            |         |
| >2.5 to 6                          | 4                   | <b>GS4-6C</b>      |                 | 4.3 (.169)          | 8.0 (.315)      | 6.0 (.236)  | 14.0 (.551) | 6.0<br>(.236) | 3.6<br>(.142)   | 1.0<br>(.039) | WC-0510DIN | 1,000   |
|                                    | 5                   | <b>GS5-6C</b>      |                 | 5.3 (.209)          | 10.0 (.394)     | 6.5 (.256)  | 15.0 (.591) |               |                 |               |            | 500     |
|                                    | 8                   | <b>GS8-6C</b>      |                 | 8.4 (.331)          | 14.0 (.551)     | 10.0 (.394) | 19.0 (.748) |               |                 |               |            |         |
| >6 to 10                           | 4                   | <b>GS4-10C</b>     |                 | 4.3 (.169)          | 10.0 (.394)     | 6.5 (.256)  | 16.0 (.630) | 8.0<br>(.315) | 4.5<br>(.177)   | 1.1<br>(.043) | WC-0510DIN | 500     |
|                                    | 5                   | <b>GS5-10C</b>     |                 | 5.3 (.209)          | 10.0 (.394)     | 6.5 (.256)  | 16.0 (.630) |               |                 |               |            |         |
|                                    | 6                   | <b>GS6-10C</b>     |                 | 6.5 (.256)          | 11.0 (.433)     | 7.5 (.295)  | 17.0 (.669) |               |                 |               |            |         |

Note:1) Contact J.S.T.(U.K.) Ltd for the above tools.

2) Delivery lead times may vary depending on the product. Contact JST for details.



# SPADE TONGUE Insulated



## Vinyl-insulated

| Applicable Wire<br>mm <sup>2</sup> | Stud Size<br>Metric | Part No.      | Nominal<br>Size | Dimensions mm (in.) |                 |             |                |                |               |                 |                 |               |        | Color      | Tool No. | Qty/box |
|------------------------------------|---------------------|---------------|-----------------|---------------------|-----------------|-------------|----------------|----------------|---------------|-----------------|-----------------|---------------|--------|------------|----------|---------|
|                                    |                     |               |                 | ød <sub>2</sub>     | ød <sub>3</sub> | r           | l <sub>1</sub> | l <sub>2</sub> | a             | ød <sub>1</sub> | ød <sub>4</sub> | s             |        |            |          |         |
| 0.5 to 1                           | 3.5                 | FVGS3.5-1C    |                 | 3.7 (.146)          | 6.0 (.236)      | 4.5 (.177)  | 10.0<br>(.394) | 16.0 (.630)    | 5.0<br>(.197) | 1.6<br>(.063)   | 3.4<br>(.134)   | 0.8<br>(.031) | Red    | WC-2210DIN | 1,000    |         |
|                                    | 4                   | FVGS4-1C      |                 | 4.3 (.169)          | 8.0 (.315)      | 6.0 (.236)  |                | 17.0 (.669)    |               |                 |                 |               |        |            |          |         |
|                                    | 4                   | FVGS4M-1C     |                 | 4.3 (.169)          | 6.8 (.268)      | 5.5 (.217)  |                | 16.0 (.630)    |               |                 |                 |               |        |            |          |         |
|                                    | 5                   | FVGS5-1C      |                 | 5.3 (.209)          | 10.0 (.394)     | 6.5 (.256)  |                | 18.0 (.709)    |               |                 |                 |               |        |            |          |         |
|                                    | 8                   | FVGS8-1C      |                 | 8.4 (.331)          | 12.0 (.472)     | 10.0 (.394) |                | 22.0 (.866)    |               |                 |                 |               |        |            |          |         |
| >1 to 2.5                          | 3                   | FVGS3-2.5C    |                 | 3.2 (.126)          | 6.0 (.236)      | 4.5 (.177)  | 11.0<br>(.433) | 17.0 (.669)    | 5.0<br>(.197) | 2.3<br>(.091)   | 4.3<br>(.169)   | 0.8<br>(.031) | Blue   | WC-2210DIN | 1,000    |         |
|                                    | 3.5                 | FVGS3.5L-2.5C |                 | 3.7 (.146)          | 6.8 (.268)      | 4.5 (.177)  |                | 17.0 (.669)    |               |                 |                 |               |        |            |          |         |
|                                    | 4                   | FVGS4S-2.5C   |                 | 4.3 (.169)          | 6.8 (.268)      | 4.5 (.177)  |                | 17.0 (.669)    |               |                 |                 |               |        |            |          |         |
|                                    | 4                   | FVGS4-2.5C    |                 | 4.3 (.169)          | 8.0 (.315)      | 6.0 (.236)  |                | 18.0 (.709)    |               |                 |                 |               |        |            |          |         |
|                                    | 5                   | FVGS5-2.5C    |                 | 5.3 (.209)          | 10.0 (.394)     | 6.5 (.256)  |                | 20.0 (.787)    |               |                 |                 |               |        |            |          |         |
| >2.5 to 6                          | 4                   | FVGS4-6C      |                 | 4.3 (.169)          | 8.0 (.315)      | 6.0 (.236)  | 12.0<br>(.472) | 20.0 (.787)    | 6.0<br>(.236) | 3.6<br>(.142)   | 6.4<br>(.252)   | 1.0<br>(.039) | Yellow | WC-2210DIN | 500      |         |
|                                    | 5                   | FVGS5-6C      |                 | 5.3 (.209)          | 10.0 (.394)     | 6.5 (.256)  |                | 21.0 (.827)    |               |                 |                 |               |        |            |          |         |
|                                    | 8                   | FVGS8-6C      |                 | 8.4 (.331)          | 14.0 (.551)     | 10.0 (.394) |                | 25.0 (.984)    |               |                 |                 |               |        |            |          |         |

Note: 1) Contact J.S.T.(U.K.) Ltd for the above tools.  
 2) Delivery lead times may vary depending on the product. Contact JST for details.

## Nylon-insulated

| Applicable Wire<br>mm <sup>2</sup> | Stud Size<br>Metric | Part No.   | Nominal<br>Size | Dimensions mm (in.) |                 |             |                |                |               |                 |                 |               |        | Color      | Tool No. | Qty/box |
|------------------------------------|---------------------|------------|-----------------|---------------------|-----------------|-------------|----------------|----------------|---------------|-----------------|-----------------|---------------|--------|------------|----------|---------|
|                                    |                     |            |                 | ød <sub>2</sub>     | ød <sub>3</sub> | r           | l <sub>1</sub> | l <sub>2</sub> | a             | ød <sub>1</sub> | ød <sub>4</sub> | s             |        |            |          |         |
| 0.1 to 0.5                         | 3                   | FNGS3-0.5C |                 | 3.2 (.126)          | 5.0 (.197)      | 5.0 (.197)  | 8.0 (.315)     | 14.0 (.551)    | 4.0 (.157)    | 1.0 (.039)      | 2.2 (.087)      | 0.5 (.020)    | Yellow | —          | 2,000    |         |
| 0.5 to 1                           | 3.5                 | FNGS3.5-1C |                 | 3.7 (.146)          | 6.0 (.236)      | 4.5 (.177)  | 10.0<br>(.394) | 16.0 (.630)    | 5.0<br>(.197) | 1.6<br>(.063)   | 3.4<br>(.134)   | 0.8<br>(.031) | Red    | WC-2210DIN | 1,000    |         |
|                                    | 4                   | FNGS4-1C   |                 | 4.3 (.169)          | 8.0 (.315)      | 6.0 (.236)  |                | 17.0 (.669)    |               |                 |                 |               |        |            |          |         |
|                                    | 4                   | FNGS4M-1C  |                 | 4.3 (.169)          | 6.8 (.268)      | 5.5 (.217)  |                | 16.0 (.630)    |               |                 |                 |               |        |            |          |         |
|                                    | 5                   | FNGS5-1C   |                 | 5.3 (.209)          | 10.0 (.394)     | 6.5 (.256)  |                | 18.0 (.709)    |               |                 |                 |               |        |            |          |         |
| >1 to 2.5                          | 4                   | FNGS4-2.5C |                 | 4.3 (.169)          | 8.0 (.315)      | 6.0 (.236)  | 11.0<br>(.433) | 18.0 (.709)    | 5.0<br>(.197) | 2.3<br>(.091)   | 4.3<br>(.169)   | 0.8<br>(.031) | Blue   | WC-2210DIN | 1,000    |         |
|                                    | 5                   | FNGS5-2.5C |                 | 5.3 (.209)          | 10.0 (.394)     | 6.5 (.256)  |                | 20.0 (.787)    |               |                 |                 |               |        |            |          |         |
| >2.5 to 6                          | 4                   | FNGS4-6C   |                 | 4.3 (.169)          | 8.0 (.315)      | 6.0 (.236)  | 12.0<br>(.472) | 20.0 (.787)    | 6.0<br>(.236) | 3.6<br>(.142)   | 6.4<br>(.252)   | 1.0<br>(.039) | Yellow | WC-2210DIN | 500      |         |
|                                    | 5                   | FNGS5-6C   |                 | 5.3 (.209)          | 10.0 (.394)     | 6.5 (.256)  |                | 21.0 (.827)    |               |                 |                 |               |        |            |          |         |
|                                    | 8                   | FNGS8-6C   |                 | 8.4 (.331)          | 14.0 (.551)     | 10.0 (.394) |                | 25.0 (.984)    |               |                 |                 |               |        |            |          |         |

Note: 1) Contact J.S.T.(U.K.) Ltd for the above tools.  
 2) Delivery lead times may vary depending on the product. Contact JST for details.