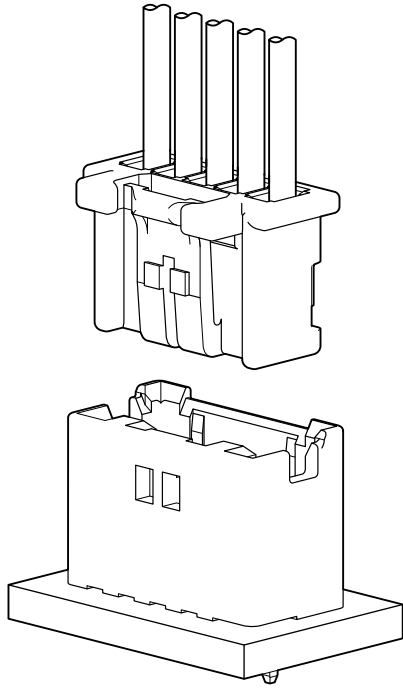


PLI CONNECTOR

2.0mm pitch/Disconnectable Crimp style connectors



This PLI connector is 2.0mm pitch low profile type board-to-wire connector that has a mechanism to prevent an incomplete mating when mating connector.

- Inertia lock mechanism
- Secure locking device
- Low profile

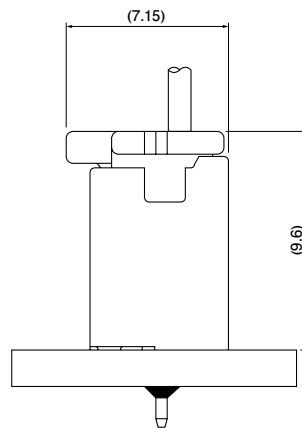
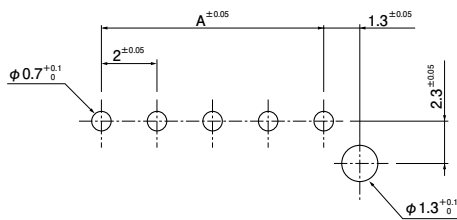
Specifications

- Current rating: 3A AC, DC (AWG #22)
- Voltage rating: 100V AC, DC
- Temperature range: -25°C to +85°C
(including temperature rise in applying electrical current)
- Contact resistance: Initial value/ 10mΩ max.
After environmental testing/ 20mΩ max.
- Insulation resistance: 1,000MΩ min.
- Withstanding voltage: 800V AC/ minute
- Applicable wire: AWG #28 to #22
- Applicable PC board thickness: 1.6mm

- * Compliant with RoHS.
- * Refer to "General Instruction and Notice when using Terminals and Connectors" at the end of this catalog.
- * Contact JST for details.

Standards

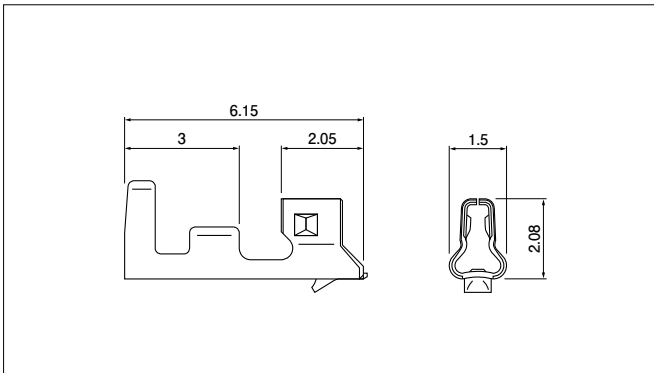
Recognized E 60389



Note: 1. The above figure is the figure viewed from the connector mounting side.
2. Tolerances are non-cumulative: $\pm 0.05\text{mm}$ for all centers.
3. Hole dimensions differ according to the kind of PC board and piercing method.
The dimensions above should serve as a guideline. Contact JST for details.

PLI CONNECTOR

Contact



Model No.	Applicable wire		Insulation O.D. (mm)	Q'ty / reel
	mm ²	AWG#		
SPLI-001T-P0.5	0.13 to 0.33	26 to 22	1.0 to 1.5	10,000
SPLI-002T-P0.5	0.08 to 0.22	28 to 24	0.8 to 1.5	10,000

Material and Finish

Copper alloy, tin-plated (reflow treatment)

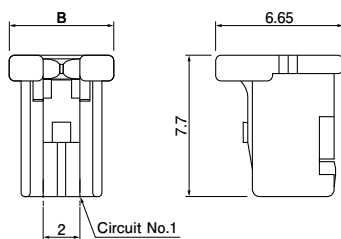
RoHS compliance

Contact	Crimping machine	Applicator		
		Crimp applicator	Dies	Crimp applicator with dies
SPLI-001T-P0.5	AP-K2N	MKS-L	MK/SPLI-001-05	APLMK SPLI001-05
SPLI-002T-P0.5		MKS-L	MK/SPLI-002-05	APLMK SPLI002-05

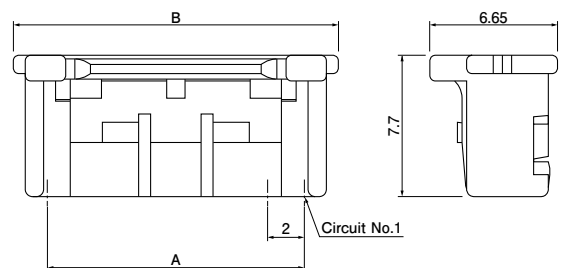
Note: Contact JST for fully automatic crimping applicator.

Housing

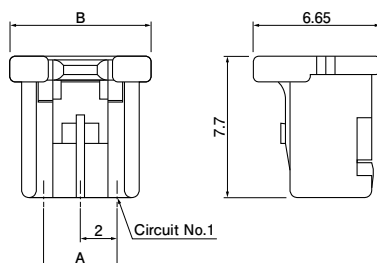
<2 circuits>



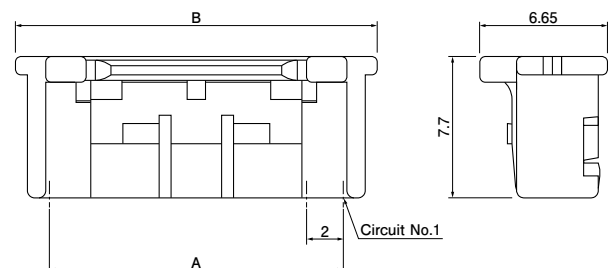
<8 circuits>



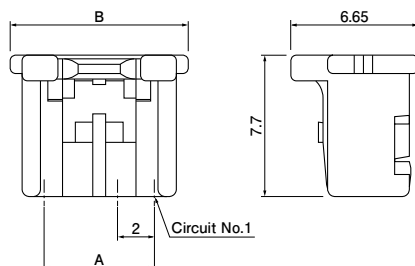
<3 circuits>



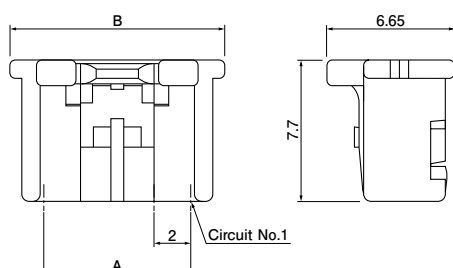
<9, 10 circuits>



<4, 6 circuits>



<5, 7 circuits>



No. of circuits	Model No.	Dimensions (mm)		Q'ty / box
		A	B	
2	PLIP-02V-S	-	5.7	1,000
3	PLIP-03V-S	4.0	7.7	1,000
4	PLIP-04V-S	6.0	9.7	1,000
5	PLIP-05V-S	8.0	11.7	1,000
6	PLIP-06V-S	10.0	13.7	1,000
7	PLIP-07V-S	12.0	15.7	1,000
8	PLIP-08V-S	14.0	17.7	500
9	PLIP-09V-S	16.0	19.7	500
10	PLIP-10V-S	18.0	21.7	500

Material

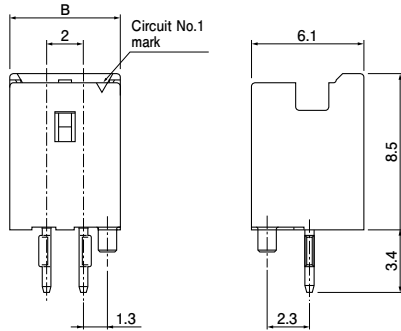
Glass-filled PBT, UL94V-0, natural

RoHS compliance

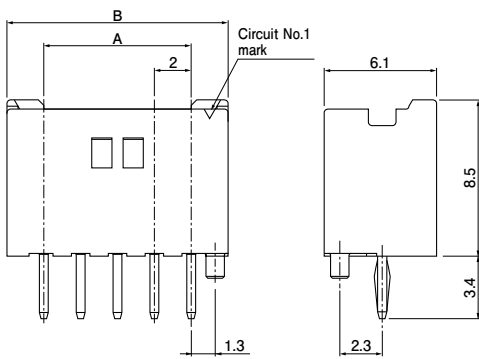
PLI CONNECTOR

Header

<2 circuits>



<3 to 10 circuits>



No. of circuits	Model No.	Dimensions (mm)		Q'ty / box
		A	B	
2	B02B-PLISK-1	-	6.0	1,000
3	B03B-PLISK-1	4.0	8.0	1,000
4	B04B-PLISK-1	6.0	10.0	500
5	B05B-PLISK-1	8.0	12.0	500
6	B06B-PLISK-1	10.0	14.0	400
7	B07B-PLISK-1	12.0	16.0	350
8	B08B-PLISK-1	14.0	18.0	300
9	B09B-PLISK-1	16.0	20.0	250
10	B10B-PLISK-1	18.0	22.0	250

Material and Finish

Post: Copper alloy, copper-undercoated, tin-plated (reflow treatment)

Wafer: Glass-filled PA 66, UL94V-0, natural

RoHS compliance This product displays (LF)(SN) on a label.

Model number allocation

Contact

S PLI - () T - P 0.5

Form: S...Strip form

Series name

Applicable wire range: 001...AWG #26 to AWG #22
002...AWG #28 to AWG #24

Surface finish: T...Tin-plated (reflow treatment)

Material: P...Copper alloy

Terminal size

Housing

PLI P - () V - ()

Series name

Part name: Plug

No. of circuits: 2 to 10

Flammability: V...UL94V-0

Color: S...Natural, R...Red, E...Blue, Y...Yellow, M...Green, K...Black

Header

B 02 B - PLI () K - 1

Shape of assembled product

No. of circuits: 2 to 10

Part name: Header

Series name

Color: S...Natural, R...Red, E...Blue, Y...Yellow,
M...Green, K...Black

Indication of clinch: K...Clinched

Shape: 1...With boss