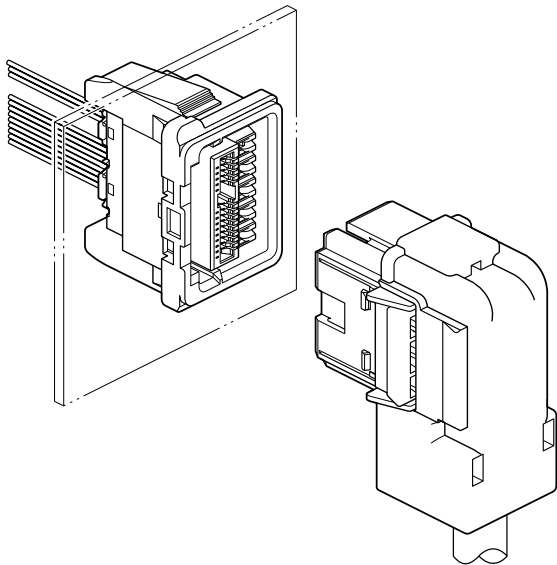




# DAC CONNECTOR

Disconnectable Crimp style Wire-to-wire connectors



Hybrid type I/O connector with combined signal and power supply circuits.

- Signal circuit 1.0 mm pitch lever-locking type
- Curtailment of number of component
- Space saving
- Locking mechanism

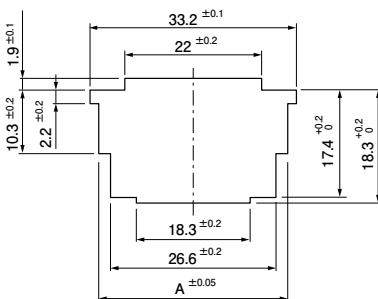
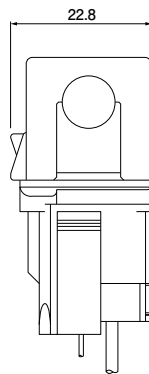
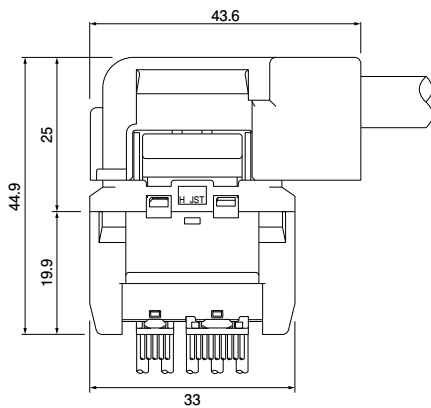
## Specifications

- Current rating: Signal circuit; 1.5 A AC/DC (AWG #27, #26)  
Power supply circuit; 6 A AC/DC (AWG #18)
  - Voltage rating: Signal circuit; 50 V AC/DC  
Power supply circuit; 300 V AC/DC
  - Temperature range: -25°C to +85°C  
(including temperature rise in applying electrical current)
  - Applicable wire:
    - Signal circuit Conductor size/ AWG #30 to #26
    - Power supply circuit Conductor size/ AWG #22 to #18  
Plug side Sheath O.D./ 5 to 8.2 mm
  - Number of circuits: Signal circuit/ 14 circuits  
Power supply circuit/ 5 circuits
  - Applicable PC board thickness: 1 to 2 mm
  - Guarantee of repeated mating/unmating performance: 100 cycles
- \* In using the products, refer to "Handling Precaution for Terminal and Connector" described on our website (Technical documents of Product information page)
- \* Contact JST for details.
- \* RoHS2 compliance

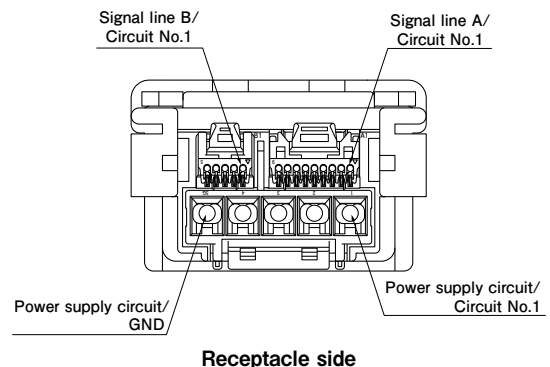
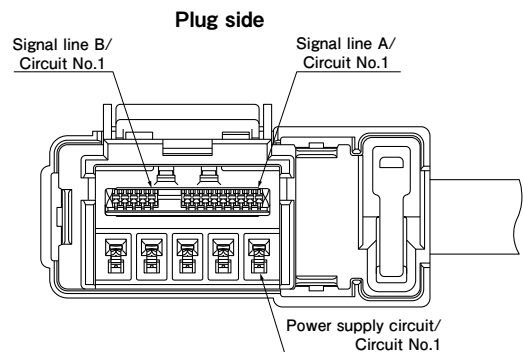
## Standards

- Ⓜ Recognized E60389
- ⚠ J50219161

## Assembly layout and Panel layout



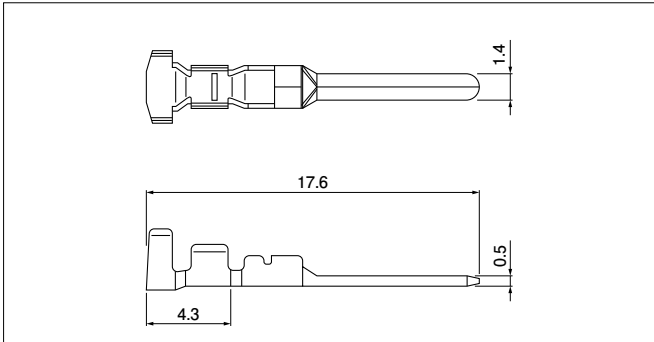
| Panel thickness | t1   | t1.2 | t1.6 | t2 |
|-----------------|------|------|------|----|
| A dimension     | 30.2 | 30.4 |      |    |



- Note: 1. Punch holes in the panel according to the figures shown above. Burrs must be removed.  
2. The strength of the panel must be considered when punching two or more holes.  
3. The connector must be inserted from the same side as the hole is punched.

# DAC CONNECTOR

## Plug contact for power supply circuit



| Model No.    | Applicable wire |          | Insulation O.D. (mm) | Q'ty/reel |
|--------------|-----------------|----------|----------------------|-----------|
|              | mm <sup>2</sup> | AWG #    |                      |           |
| SSM-21T-P1.4 | 0.3 to 0.75     | 22 to 18 | 1.5 to 2.5           | 6,000     |

### Material and Finish

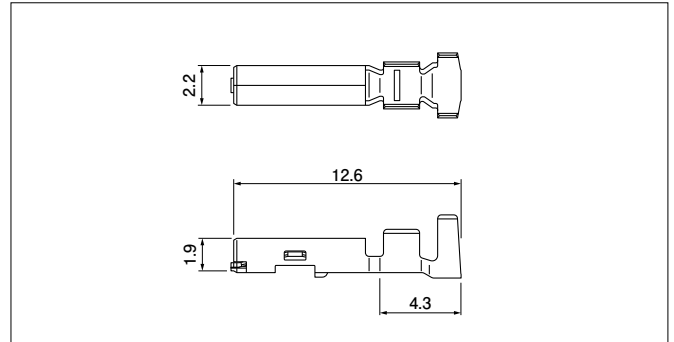
Copper alloy, tin-plated

### RoHS2 compliance

| Contact      | Crimping machine | Applicator       |                |                            |
|--------------|------------------|------------------|----------------|----------------------------|
|              |                  | Crimp applicator | Dies           | Crimp applicator with dies |
| SSM-21T-P1.4 | AP-K2N           | MKS-L            | MK/SSF/M-21-14 | APLMK SSF/M21-14           |
|              |                  | —                | —              | —                          |

Note: Contact JST for fully automatic crimping applicator.

## Receptacle contact for power supply circuit



| Model No.      | Applicable wire |          | Insulation O.D. (mm) | Q'ty/reel |
|----------------|-----------------|----------|----------------------|-----------|
|                | mm <sup>2</sup> | AWG #    |                      |           |
| SDACF-21T-P1.4 | 0.3 to 0.75     | 22 to 18 | 1.5 to 2.5           | 6,000     |

### Material and Finish

Copper alloy, tin-plated

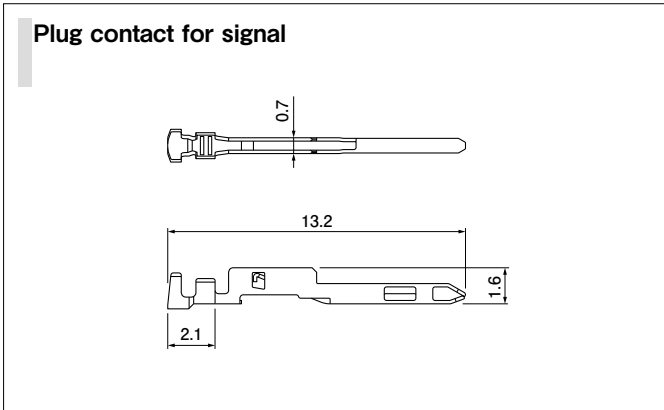
### RoHS2 compliance

| Contact        | Crimping machine | Applicator       |                |                            |
|----------------|------------------|------------------|----------------|----------------------------|
|                |                  | Crimp applicator | Dies           | Crimp applicator with dies |
| SDACF-21T-P1.4 | AP-K2N           | MKS-L            | MK/SSF/M-21-14 | APLMK SSF/M21-14           |
|                |                  | —                | —              | —                          |

Note: Contact JST for fully automatic crimping applicator.

## Plug

### Plug contact for signal



| Model No.       | Applicable wire |          | Insulation O.D. (mm) | Q'ty/reel |
|-----------------|-----------------|----------|----------------------|-----------|
|                 | mm <sup>2</sup> | AWG #    |                      |           |
| SDACP-002T-M0.9 | 0.05 to 0.13    | 30 to 26 | 0.6 to 0.8           | 18,000    |

### Material and Finish

Copper alloy, nickel-undercoated, tin-plated (reflow treatment)

### RoHS2 compliance

Note: This product displays (LF)(SN) on a label.

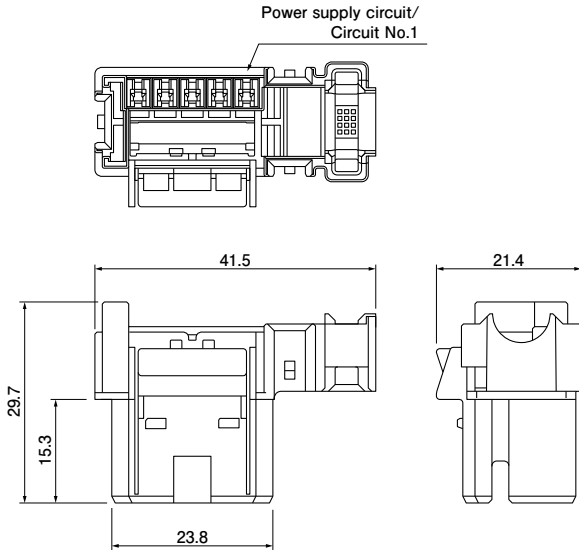
| Contact         | Crimping machine | Applicator       |                 |                            |
|-----------------|------------------|------------------|-----------------|----------------------------|
|                 |                  | Crimp applicator | Dies            | Crimp applicator with dies |
| SDACP-002T-M0.9 | AP-K2N           | MKS-L-10-3       | MK/SRFCP-002-09 | APLMK SRFCP002-09          |
|                 |                  | —                | —               | —                          |

Note: Contact JST for fully automatic crimping applicator.

# DAC CONNECTOR

## Plug

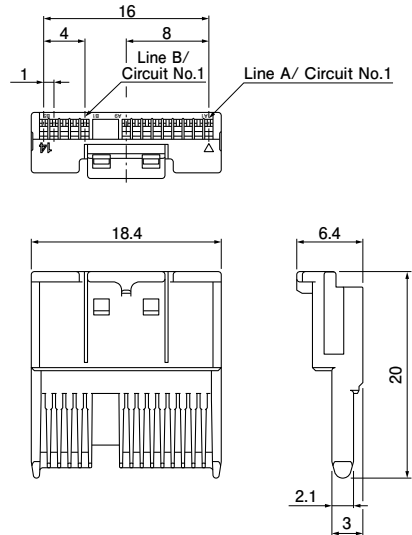
### Signal 14 circuits / Power supply 5 circuits



|                     |          |
|---------------------|----------|
| Model No.           | Q'ty/box |
| DACPA-14P5-H        | 252      |
| Material and Finish |          |
| PBT, UL94V-0, gray  |          |

RoHS2 compliance

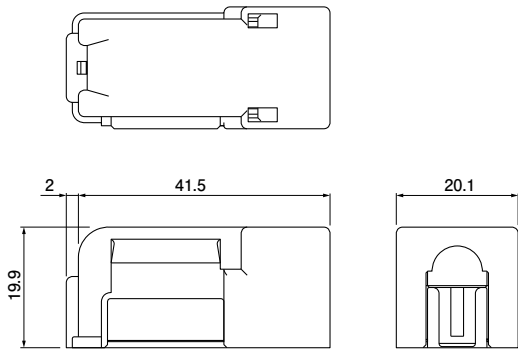
### Plug signal unit



|                       |          |
|-----------------------|----------|
| Model No.             | Q'ty/box |
| DACYP-14(A9B5)-Z      | 480      |
| Material and Finish   |          |
| LCP, UL94V-0, natural |          |

RoHS2 compliance

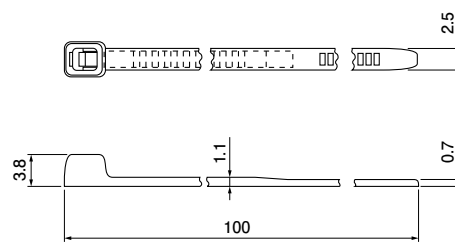
## Plug cover



|                     |          |
|---------------------|----------|
| Model No.           | Q'ty/box |
| DACC-14P5-H         | 315      |
| Material and Finish |          |
| PBT, UL94V-0, gray  |          |

RoHS2 compliance

## Tie lock



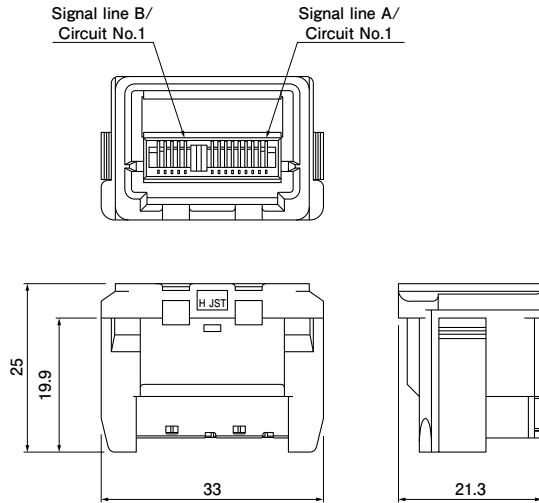
|                     |          |
|---------------------|----------|
| Model No.           | Q'ty/box |
| KB-100-1            | 1,000    |
| Material and Finish |          |
| PA 66, natural      |          |

RoHS2 compliance  
Note: Unlisted in UL/CSA.

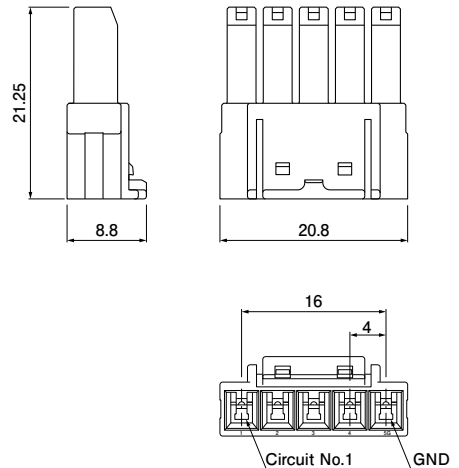
# DAC CONNECTOR

## Receptacle

### Signal 14 circuits / Power supply 5 circuits



### Power supply unit



| Model No.     | Q'ty/box |
|---------------|----------|
| 14P5RA-DAC-HT | 240      |

| Material and Finish   |
|---|
| Contact: Copper alloy, nickel-undercoated, tin-plated (reflow treatment)<br>Housing: PBT, UL94V-0, gray |

RoHS2 compliance  
Note: This product displays (LF)(SN) on a label.

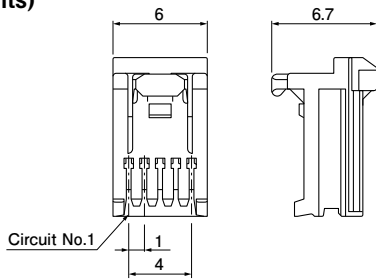
| Model No.     | Q'ty/box |
|---------------|----------|
| DACYR-P5-5G-H | 120      |

| Material and Finish |
|---------------------|
| PBT, UL94V-0, gray  |

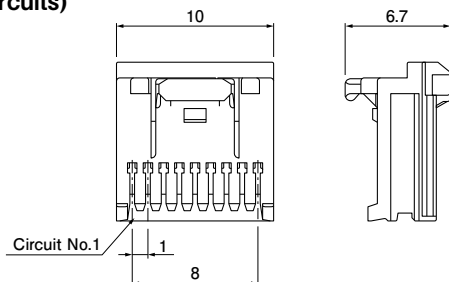
RoHS2 compliance

## CSR connector Socket

### (5 circuits)



### (9 circuits)



| No. of circuits | Model No. | Q'ty/box |
|-----------------|-----------|----------|
| 5               | 05CSR-8PK | 9,000    |
| 9               | 09CSR-8PK | 5,400    |

| Material and Finish  |
|--|
| Contact: Copper alloy, tin-plated<br>Housing: PBT, UL94V-0, pink |

RoHS2 compliance

|                 |   |
|-----------------|---|
| Applicable wire | UL11079, UL3619, UL3855, UL11030<br>(Contact JST for other UL style.)<br>AWG #27, #28<br>Conductor/ 7 strands, tin-coated annealed copper<br>Insulation O.D./ 0.65 to 0.73 mm |
|-----------------|---|