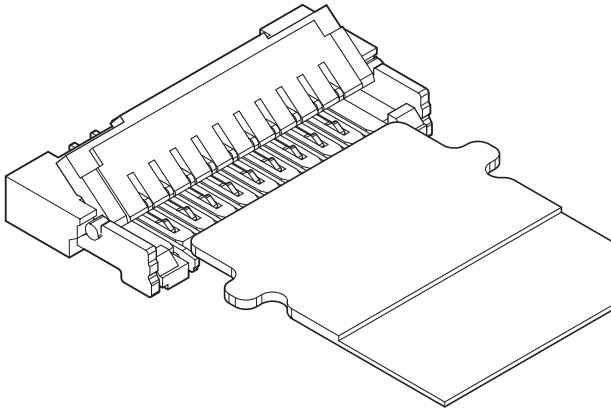


FVXL CONNECTOR



0.2mm pitch/Connectors for FPC



***This FVXL connector is a space saving and low profile connector for FPC demanded from the market, and realizes 0.2 mm pitch connector with a mounting height of 0.7 mm and depth of 2.68 mm.
In FPC connector, the smallest product has been provided.***

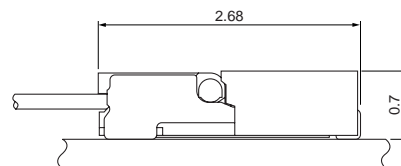
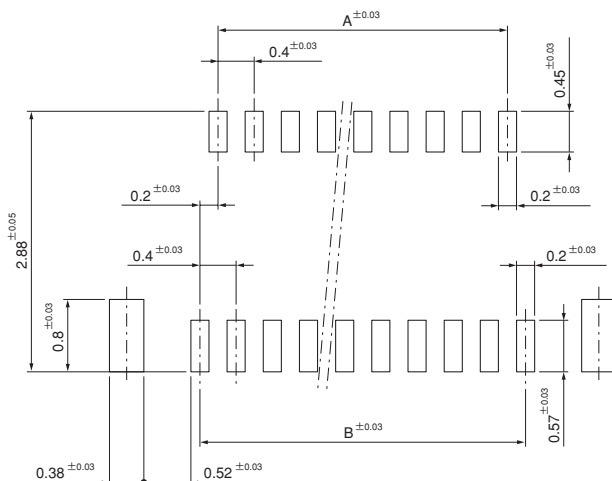
- ***Double ZIF construction provides easy insertion operation of FPC***
- ***By adopting self locking mechanism, a cover can close with one touch operation.***
- ***By adopting a FPC with protrusions, prevent incomplete insertion or mis-insertion after insertion.***

Specifications

- Current rating: 0.2 A AC, DC
- Voltage rating: 50 V AC, DC
- Temperature range: -25°C to +85°C
(including temperature rise in applying electrical current)
- Contact resistance: Initial value/ 100 mΩ max.
After environmental tests/ 100 mΩ max.
(variation from initial value)
- Insulation resistance: 50 MΩ min.
- Withstanding voltage: Initial value; 200 VAC/minute
After humidity test; 100 VAC/minute
- Applicable FPC: Conductor pitch/ 0.2 mm
Conductor width/ 0.2 mm
Mating part thickness/ 0.15 ± 0.03 mm

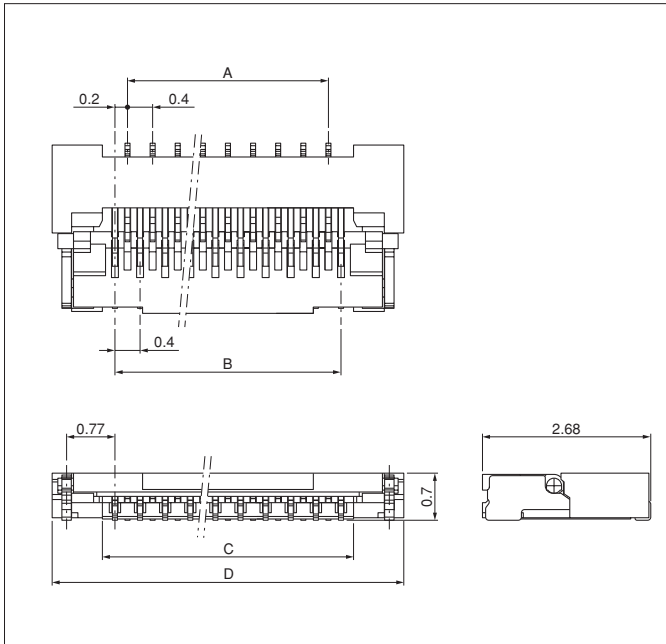
* Refer to "General Instruction and Notice when using Terminals and Connectors" at the end of this catalog.
* Contact JST for details.
* Compliant with RoHS.

PC board layout and Assembly layout



FVXL CONNECTOR

Housing



Circuits	Model No.	Dimensions (mm)					Qty/ reel
		A	B	C	D	E	
45	45FVXL-RSM2-GAN-ETF(HF)	8.4	8.8	9.2	10.8	10.1	6,000
51	51FVXL-RSM2-GAN-ETF(HF)	9.6	10.0	10.4	12.0	11.3	6,000
71	71FVXL-RSM2-GAN-ETF(HF)	13.6	14.0	14.4	16.0	15.3	6,000

Material and Finish

Contact: Copper alloy, nickel-undercoated, gold-plated
 Socket housing: Heat resisting resin, black
 Cover housing: Heat resisting resin, gray
 Reinforcement: Copper alloy, tin-plated

RoHS compliance

Note: The products listed above are supplied on embossed-tape.

Lead section dimensions of FPC

