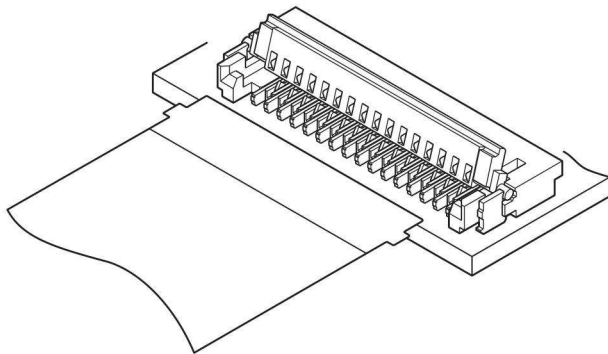


FXY CONNECTOR

0.3mm pitch/Connectors for FPC



In addition to achieving space saving and low profile features demanded by the market, this connector also realizes superb operability by adopting a FPC with protrusion. The use of the FPC provides secure and foolproof mating at the customers' production site.

- ZIF mechanism
- Self-lock mechanism enables the cover to close by one-touch operation
- A FPC with protrusion improves operability and reliability

Specifications

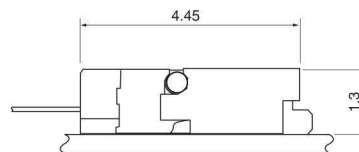
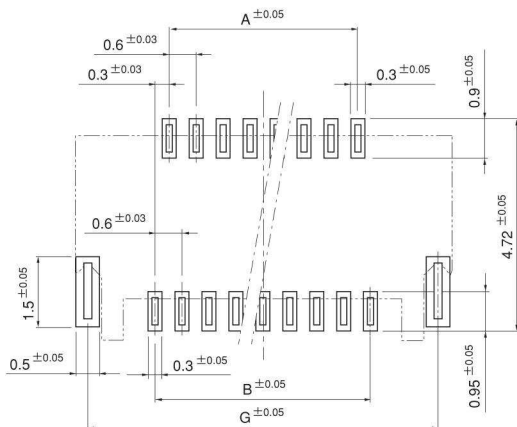
- Current rating: 0.2 A AC, DC
- Voltage rating: 50 V AC, DC
- Temperature range: -25°C to +85°C
(including temperature rise in applying electrical current)
- Contact resistance: Initial value/ 80 mΩ max.
After environmental tests/ 60 mΩ max.
(variation from initial value)
- Insulation resistance: 50 MΩ min.
- Withstanding voltage: 200 VAC/minute
- Applicable FPC: Conductor pitch/ 0.3 mm
<0.6 mm pitch staggered>
Conductor width/ 0.3 mm
Mating part thickness/ 0.2 ± 0.03 mm

* In using the products, refer to "Handling Precaution for Terminal and Connector" described on our website (Technical documents of Product information page).

* Contact JST for details.

* RoHS2 compliance

PC board layout and Assembly layout

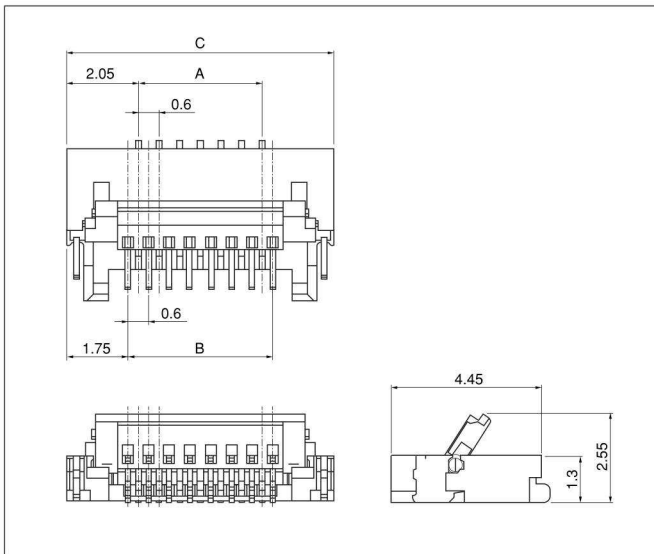


Circuits	Dimensions (mm)		
	A	B	G
15	3.6	4.2	7.2
25	6.6	7.2	10.2
31	8.4	9.0	12.0
45	12.6	13.2	16.2
51	14.4	15.0	18.0
71	20.4	21.0	24.0
81	23.4	24.0	27.0

Note: 1. The above figure is the figure viewed from the connector mounting side.
2. Tolerances are non-cumulative: ±0.05 mm for all centers.
The dimensions above should serve as a guideline. Contact JST for details.

FX Y CONNECTOR

Connector



Circuits	Model No.	Dimensions (mm)			Q'ty/ reel
		A	B	C	
15	15FX Y-RSM1-GAN-1-TB	3.6	4.2	7.7	2,500
25	25FX Y-RSM1-GAN-1-TB	6.6	7.2	10.7	2,500
31	31FX Y-RSM1-GAN-1-TB	8.4	9.0	12.5	2,500
45	45FX Y-RSM1-GAN-1-TB	12.6	13.2	16.7	2,500
51	51FX Y-RSM1-GAN-1-TB	14.4	15.0	18.5	2,500
71	71FX Y-RSM2-HF-GAN-A-TB	20.4	21.0	24.5	2,500
81	81FX Y-RSM2-HF-GAN-A-TB	23.4	24.0	27.5	2,500

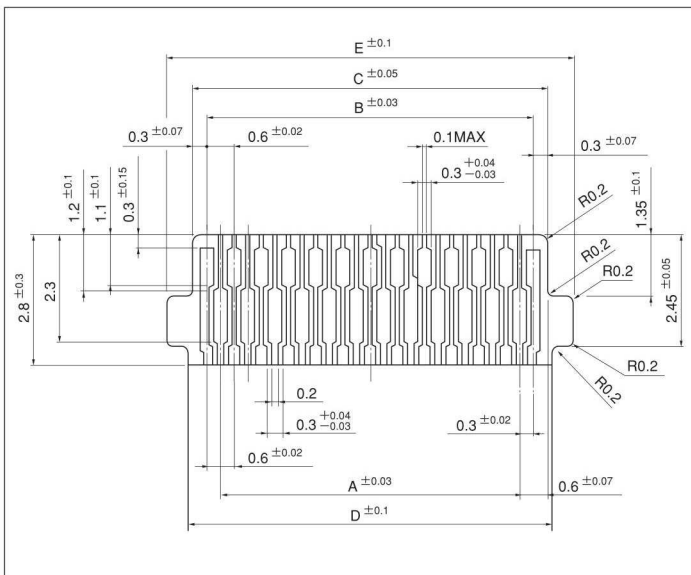
Material and Finish

Contact: Copper alloy, nickel-undercoated, gold-plated (nickel-stripe)
 Cover: PPS, UL94V-0
 Housing: LCP, UL94V-0
 Solder tab: Copper alloy, copper-undercoated, tin-plated (reflow treatment)

RoHS2 compliance

Note: This product displays (LF)(SN) on a label.
 71 and 81 circuits of this product display (LF)(SN)(L) on a label.

Lead section dimensions of FPC



Circuits	Dimensions (mm)				
	A	B	C	D	E
15	3.6	4.2	4.8	5.1	6.0
25	6.6	7.2	7.8	8.1	9.0
31	8.4	9.0	9.6	9.9	10.8
45	12.6	13.2	13.8	14.1	15.0
51	14.4	15.0	15.6	15.9	16.8
71	20.4	21.0	21.6	21.9	22.8
81	23.4	24.0	24.6	24.9	25.8