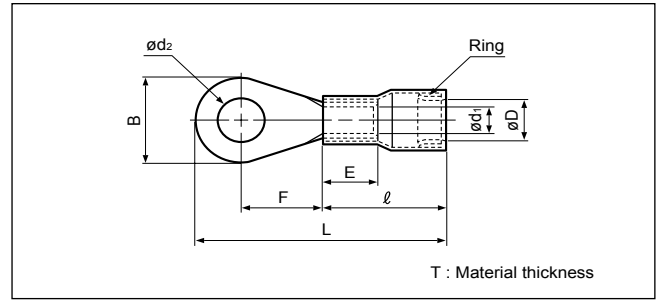


Solderless terminals

RING TONGUE (R type) Vinyl-insulated with copper sleeve (Medium size)



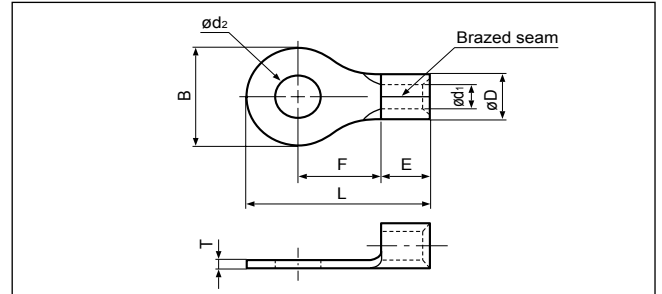
Certificate No.: E42024 LR20812

Applicable Wire AWG#(mm ²)	Stud size		Part No.	Standard	Dimensions mm (in.)										Color	Tool No.	Qty/box
	American	Metric			ϕd_2	B	L	F	E	ℓ	d_1	ϕD (min.)	T				
8 (6.64 to 10.52)	10	5	FVD8-5		5.3 (.209)	10.3 (.406)	36.3(1.429)	10.6 (.417)	8.3 (.327)	19.2 (.756)	4.6 (.181)	7.5 (.295)	1.1 (.043)	Red	YF-1 E-4 EP-1	YNE-38	200
	1/4	6	FVD8-6		6.4 (.252)	11.6 (.457)	36.3(1.429)	11.3 (.445)									
	5/16	8	FVD8-8		8.4 (.331)	14.4 (.567)	38.8(1.528)	12.4 (.488)									
	3/8	10	FVD8-10		10.5 (.413)	14.4 (.567)	38.8(1.528)	12.4 (.488)									
6 (10.52 to 16.78)	10	5	FVD14-5		5.3 (.209)	12.2 (.480)	39.2(1.543)	13.1 (.516)	10.9 (.429)	20.0 (.787)	5.7 (.224)	10.5 (.413)	1.1 (.043)	Blue	YF-1 E-4 EP-1	YNE-38	100
	1/4	6	FVD14-6		6.4 (.252)	12.2 (.480)	39.2(1.543)	13.1 (.516)									
	5/16	8	FVD14-8		8.4 (.331)	15.3 (.602)	42.4(1.669)	14.7 (.579)									
	3/8	10	FVD14-10		10.5 (.413)	15.3 (.602)	42.4(1.669)	14.7 (.579)									
4 (16.78 to 26.66)	1/4	6	FVD22-6		6.4 (.252)	13.8 (.543)	44.0(1.732)	14.1 (.555)	12.0 (.472)	23.0 (.906)	7.2 (.284)	11.5 (.453)	1.3 (.051)	Yellow	YF-1 E-4 EP-1	YNE-38	100
	5/16	8	FVD22-8		8.4 (.331)	15.9 (.626)	46.1(1.815)	15.1 (.594)									
	3/8	10	FVD22-10		10.5 (.413)	15.9 (.626)	46.1(1.815)	15.1 (.594)									

Note:1) Delivery lead times may vary depending on the product. Contact JST for details.

Solderless terminals

RING TONGUE (R type) Non-insulated (Heavy duty)



Applicable Wire AWG#(mm ²)	Stud size		Part No.	Standard	Dimensions mm (in.)										Tool No.	Qty/box
	American	Metric			ϕd_2	B	L	F	E	ϕD	ϕd_1	T				
E type 16 to 14 (1.04 to 2.63)	22 to 16 (0.25 to 1.65)	5-6	3.5	1.25-3E	3.7 (.146)	8.0 (.315)	16.4 (.646)	7.6 (.299)	4.8 (.189)	4.0 (.157)	1.9 (.075)	1.0 (.039)	YHT-2210 YA-1, YA-2 YA-4 BCT-0514L	1,000		
		8	4	1.25-4E	4.3 (.169)	8.0 (.315)	16.4 (.646)	7.6 (.299)								
		10	5	1.25-5E	5.3 (.209)	8.0 (.315)	16.4 (.646)	7.6 (.299)								
	16 to 14 (1.04 to 2.63)	8	4	2-4E	4.3 (.169)	9.2 (.362)	18.6 (.732)	7.2 (.284)	6.8 (.268)	5.5 (.217)	2.3 (.091)	1.6 (.063)	YHT-2210 YA-1 YA-2 YA-4 BCT-0514L	1,000		
		10	5	2-5E	5.3 (.209)	9.2 (.362)	18.6 (.732)	7.2 (.284)								
		1/4	6	2-6E	6.4 (.252)	13.6 (.535)	25.3 (.996)	11.7 (.461)								
		5/16	8	2-8E	8.4 (.331)	13.6 (.535)	25.3 (.996)	11.7 (.461)								
ES type 16 to 14 (1.04 to 2.63)	3/8	10	2-10E	10.5 (.413)	13.6 (.535)	25.3 (.996)	11.7 (.461)	6.2 (.244)	5.5 (.217)	3.0 (.118)	1.2 (.047)	-	500			
	1/4	6	2-6ES	6.4 (.252)	13.5 (.532)	24.2 (.953)	11.3 (.445)									
	5/16	8	2-8ES	8.4 (.331)	13.5 (.532)	24.2 (.953)	11.3 (.445)									
	3/8	10	2-10ES	10.5 (.413)	13.5 (.532)	24.2 (.953)	11.3 (.445)									
					10.5 (.413)	19.0 (.748)	31.6(1.244)	16.0 (.630)						1,000		

Note:1) The ϕD of products with the suffix "E" at the end of the part number is one size larger than the non-insulated terminal with the same part number.

For the crimping tool jaws, select one size larger from among the three jaw sizes on the YHT-2210 crimping tool.

2) Contact JST concerning minimum lot size.

3) The part numbers indicated in the above table are for products with a braze seam.

When ordering products with a butted seam, add the prefix "WS" to the part number (ex. 2-4E → **WS2-4E**).

4) Delivery lead times may vary depending on the product. Contact JST for details.