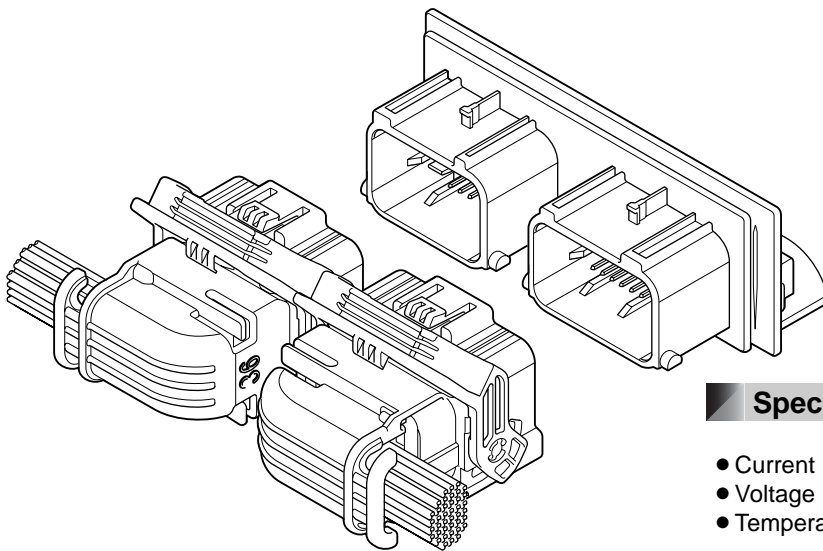


This is ECU I/O connector for automobile air-bag of the miniaturization and sealed type.

This connector has the various pin arrangement/color/key code/PC board connecting method corresponding to needs, hence the connector type suitable for the vehicle can be selected.



Features

●Variation

Contact JST for pin arrangement/housing color/key code.
Dip type and press-fit type are available for connecting at PC board side.

●Terminal construction

It is designed to prevent the deformation of contact area when processing wire harness by protecting contact area of each terminal box.

●Mating

CPA adopted. It enables the connector to be locked securely and prevents incomplete mating on the assembly line resulting in improved connector retention force.
The lever mechanism is adopted to decrease the insertion force in mating male and female.

●Sealed

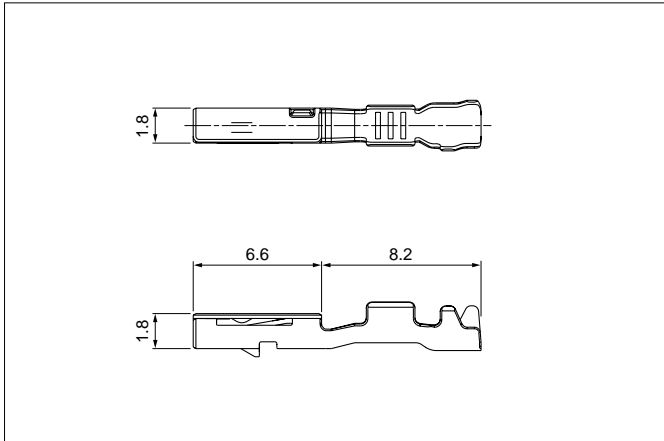
Mat seal is adopted for improving the workability of harness assembling.

Specifications

- Current rating: 5 A AC, DC max.
- Voltage rating: 14 V DC max.
- Temperature range: -40°C to +120°C
(including temperature rise in applying electrical current)
- Contact resistance:
 - Female terminal; Initial value/ 10 mΩ max.
After environmental tests/ 20 mΩ max.
 - Short terminal; Initial value/ 50 mΩ max.
After environmental tests/ 100 mΩ max.
- Insulation resistance: 100 MΩ min.
- Withstanding voltage: 1,000 VAC/minute
- Applicable wire: AVSS/ AESSX (f)
0.5 mm²

- * Compliant with ELV/RoHS.
- * Contact JST for details.

Female terminal

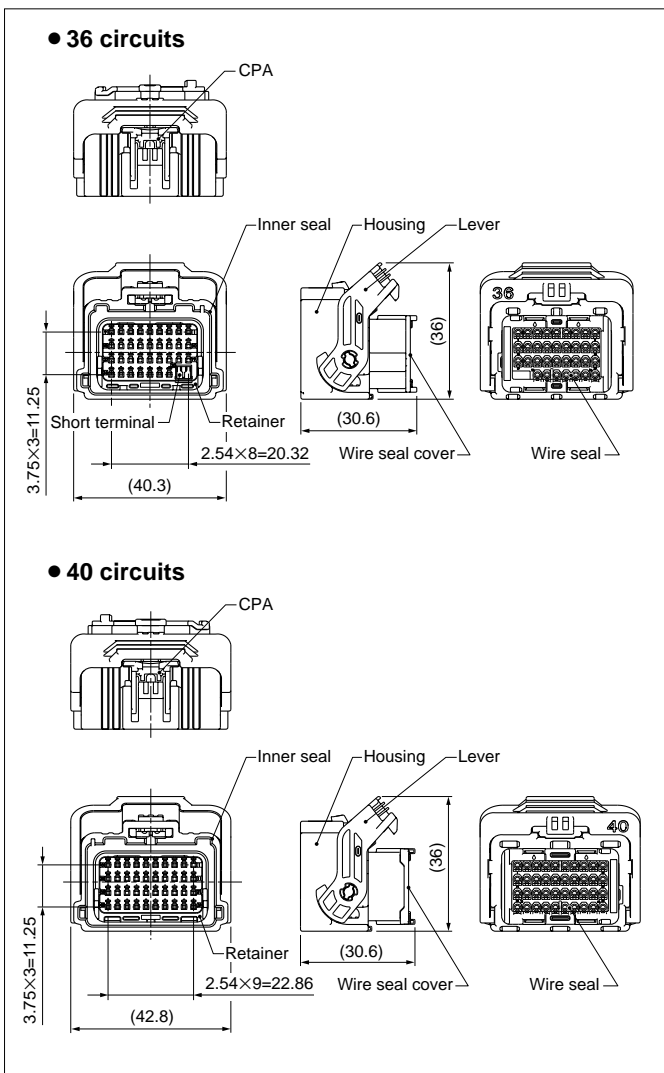


Model No.	Applicable wire range		Q'ty/reel
	Conductor (mm ²)	Insulation O.D. (mm)	
SWPH-A021GF-M0.64	0.5	1.7	10,000

Material and Finish

Copper alloy, nickel-undercoated, tin-plated, Contact area; gold-plated

Female connector



Circuits	Model No.	Q'ty/box
36	36WIC-B-1A-()	280

Material and Finish

Housing: Glass-filled PBT (Refer to note)
 Retainer: Glass-filled PBT, Black
 Lever: Glass-filled PBT, Black
 CPA housing: Glass-filled PBT, Black
 Wire seal cover: Glass-filled PBT, Black
 Inner seal: Silicone, Green
 Wire seal: Silicone, Green
 Short terminal: Copper alloy, nickel-undercoated, tin-plated,
 Contact area; gold-plated

Note: Color/Key codes of the housing are prepared.
 Contact JST for details.

Circuits	Model No.	Q'ty/box
40	40WIC-B-1A-()	280

Material and Finish

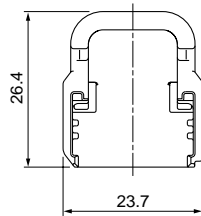
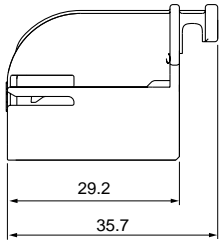
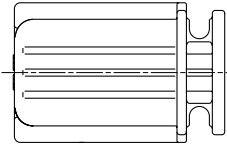
Housing: Glass-filled PBT (Refer to note)
 Retainer: Glass-filled PBT, Black
 Lever: Glass-filled PBT, Black
 CPA housing: Glass-filled PBT, Black
 Wire seal cover: Glass-filled PBT, Black
 Inner seal: Silicone, Red
 Wire seal: Silicone, Red

Note: Color/Key codes of the housing are prepared.
 Contact JST for details.

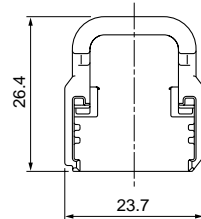
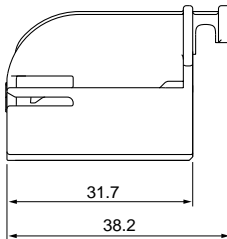
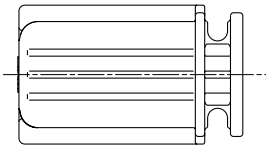
WIC CONNECTOR

Female harness cover

• 36 circuits



• 40 circuits

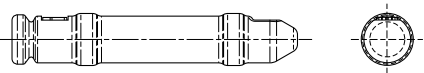
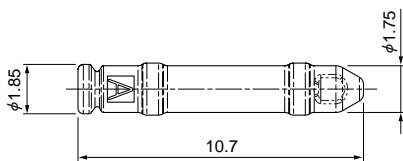


Circuits	Model No.	Q'ty/box
36	WICC-36-S	400
40	WICC-40-S	400

Material and Finish

Glass-filled PBT, Natural (White)

Female dummy plug



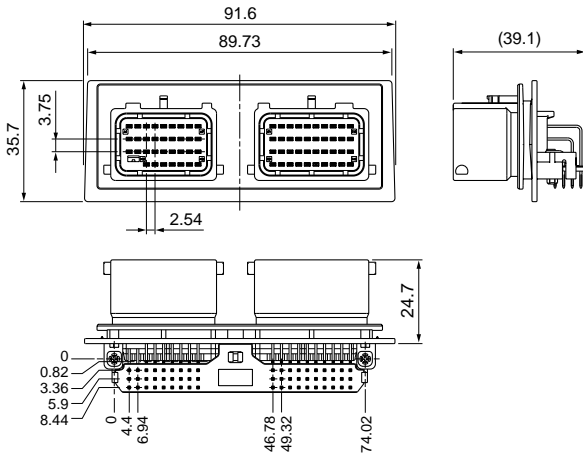
Model No.	Q'ty/box
WPHDP-H-1A-H	7,000

Material and Finish

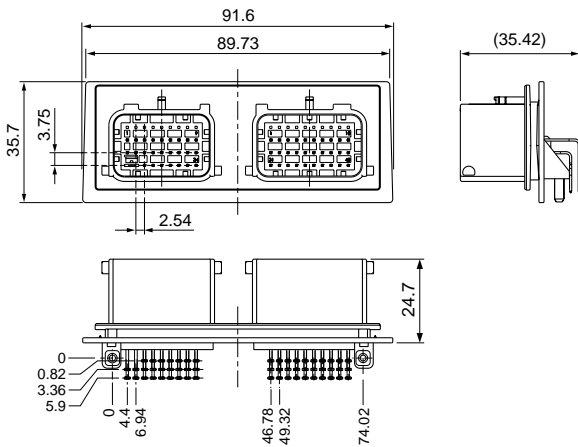
PBT, Gray

Male connector

DIP type



Press-fit type



Circuits	Model No.	Q'ty/box
1 to 74	S()B-WIC()-1A	60
	S()B-WIC()-1A(M)	154

Material and Finish

Housing: Glass-filled PBT (Refer to note)
 Tine-plate: Glass-filled PBT, Black
 Pin: Copper alloy, nickel-undercoated, tin-plated,
 Contact area; gold-plated

Note: 1. Color/Key codes of the housing are prepared.
 Up to maximum 74 circuits for dip type and maximum 55 circuits for press-fit type (extensible up to 74 circuits) are available. Contact JST for details.
 2. (M) Magazine stick packing

Circuits	Model No.	Q'ty/box
1 to 55	S()⁽⁷⁶⁾B-WICP()-1A	75
	S()⁽⁷⁶⁾B-WICP()-1A(M)	135

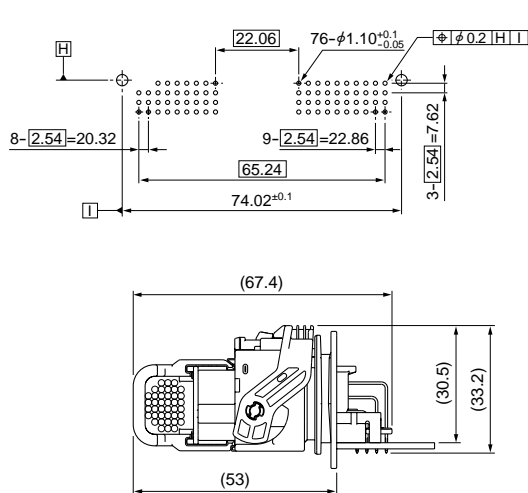
Material and Finish

Housing: Glass-filled PBT (Refer to note)
 Pin: Phosphor bronze, nickel-undercoated,
 Press-fit area; tin-plated, Contact area; gold-plated

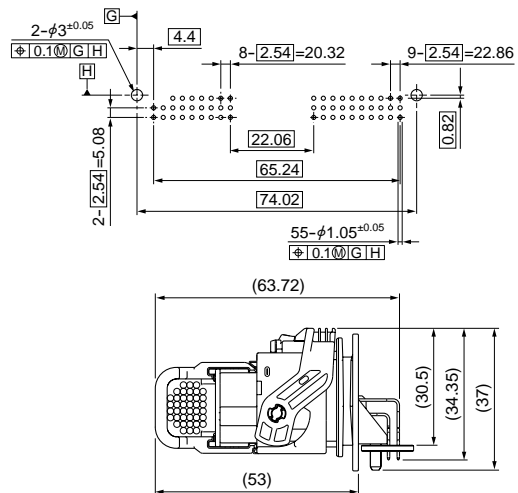
Note: 1. Color/Key codes of the housing are prrepared.
 Up to maximum 74 circuits for dip type and maximum 55 circuits for press-fit type (extensible up to 74 circuits) are available. Contact JST for details.
 2. (M) Magazine stick packing

PC board layout, Assembly layout

DIP type



Press-fit type



Crimping machine, Applicator

Strip terminal	Crimping machine	Crimp applicator MKS-L	
		Dies	Crimp applicator with dies
SWPH-A021GF-M0.64	AP-K2N	MK/SWPH-A021-064	APLMK SWPH-A021-064

Note: When crimping operation is conducted using an applicator and die set other than the above, JST cannot guarantee the performance of the terminal.