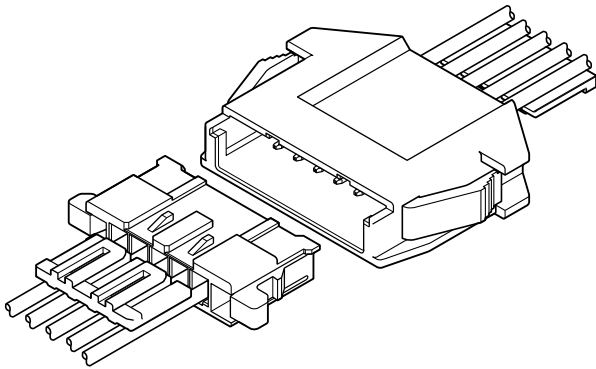


XAG CONNECTOR

2.5 mm pitch/Crimp style Wire-to-wire connectors



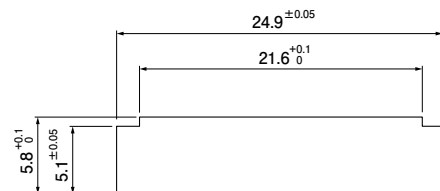
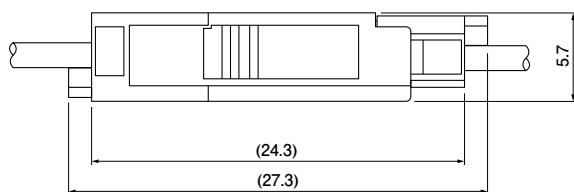
This is a 2.5 mm pitch, crimp style, wire-to-wire connector.

- Secure locking device
- Panel locking device
- Thin design
- Retainer mountable type

Specifications

- Current rating: 3 A AC/DC (AWG #20)
- Voltage rating: 250 V AC/DC
- Temperature range: -25°C to $+85^{\circ}\text{C}$
(including temperature rise in applying electrical current)
- Contact resistance: Initial value/ 10 m Ω max.
After environmental tests/ 20 m Ω max.
- Insulation resistance: 500 M Ω min.
- Withstanding voltage: 1,500 VAC/minute
- Applicable wire: AWG #24 to #20
- Applicable PC board thickness: 0.5 to 2 mm
- * In using the products, refer to "Handling Precautions for Terminals and Connectors" described on our website (Technical documents of Product information page).
- * RoHS2 compliance
- * Dimensional unit: mm
- * Contact JST for details.

Assembly layout and Panel layout

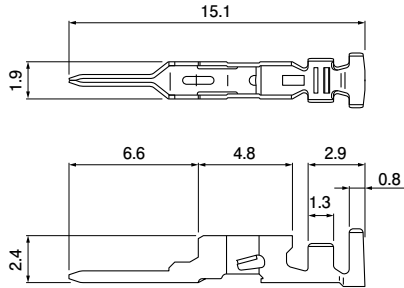


- Note: 1. Punch holes in the panel according to the figures shown above. Burrs must be removed.
2. The strength of the panel must be considered when punching two or more holes.
3. The connector must be inserted from the same side as the hole is punched.

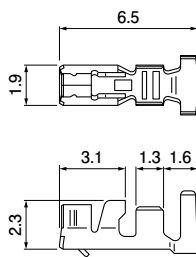
XAG CONNECTOR

Contact

Pin contact



Socket contact



Model No.		Applicable wire		Insulation O.D. (mm)	Q'ty/reel	
Pin contact	Socket contact	mm ²	AWG #		Pin contact	Socket contact
SXAM-01T-P0.6	SXA-01T-P0.6	0.22~0.5	24~20	1.5~1.9	7,000	8,000

Material and Finish

Phosphor bronze, tin-plated (reflow treatment)

RoHS2 compliance

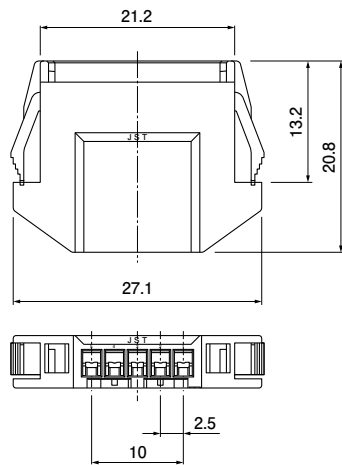
Note: Contact JST for gold-plated products.

Contact	Crimping machine	Applicator		
		Crimp applicator	Dies	Crimp applicator with dies
SXAM-01T-P0.6	AP-K2N	MKS-L	MK/SXAM/XA-01-06	APLMK SXAM/XA01-06
SXA-01T-P0.6			MK/SXAM/XA-01-06	APLMK SXAM/XA01-06

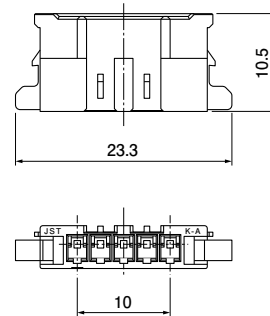
Note: Contact JST for fully automatic crimping applicator.

Housing

Receptacle housing For pin contact



Plug housing For socket contact



No. of circuits	Model No.	Q'ty/bag
5	XAGR-053A-K	1,000

Material and Finish

PA 66, UL94V-0, black

RoHS2 compliance

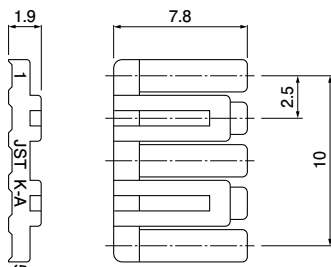
No. of circuits	Model No.	Q'ty/bag
5	XAGRP-051-K	2,000

Material and Finish

PBT, UL94V-0, black

RoHS2 compliance

Retainer



No. of circuits	Model No.	Q'ty/box
5	XAGS-053-K	5,000

Material and Finish

PA 66, UL94V-0, black

RoHS2 compliance