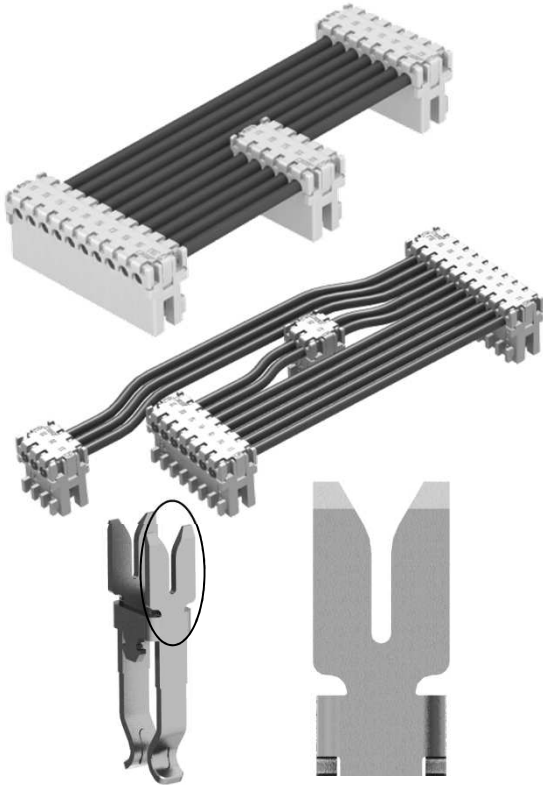


RSXA CONNECTOR

2.5 mm pitch/Card Edge Type IDC (Insulation Displacement Connector)



The RSXA connector is a card-edge type insulation displacement connector that conforms to the RAST 2.5 standard.

Features

•RAST 2.5 standard

•IDC Benefits

- Shorter harness production time
- Lower harness cost
- Better harness quality
- Daisy chain option available
- Lead free product
- 5mm spacing available (one circuit skipped)

•Polarizing Feature

- Half or Full Polarizing Rib & End Walls, Keyed, Keyless or Selective Keying available

•Locking Features

- End Lock, Friction Lock, Pole Lock

•Unique Contact Design

- Twin U-Slot contact design provides extra stability

•Circuits

- 2-10 Position


Specifications

- Current rating: 4A AC, DC max. (AWG#22)
2A AC, DC max. (AWG#24)
- Voltage rating: 250 AC, DC max.
- Temperature range: -25°C to +105°C
(including temperature rise in applying electrical current)
- Contact resistance: Initial value/3m Ω max.
After environmental testing/ 6m Ω max.
- Insulation resistance: 1,000M Ω min.
- Withstanding voltage: 1,000V AC/minute
- Applicable wire: UL AWM 1007/1569,
Insulation O.D: ≤ 1.7 mm
AWG# 24 to 22 (0.22 to 0.38mm²)

* Contact JST for details

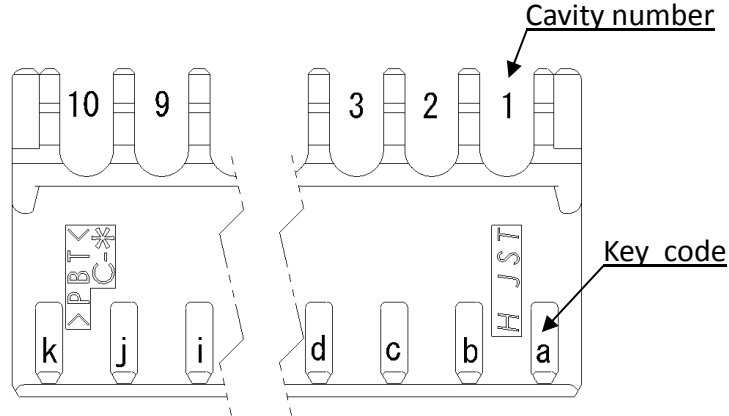
* Compliant with RoHS2

Standards

 Recognized E60389

RSXA connector

Part number structure



*
*
RSXA
-
D
0.38
S
-
*
-
*

①	Circuit Number	02, 03, ... 10
②	Block Position	Indicated by blocked circuit position
③	Series Name	RSXA series
④	Wire configuration	D: Daisy chain
⑤	Wire size (mm ²)	
⑥	Color	S: Natural
⑦	Lock configuration	1: No lock E: End lock F: Friction lock P: Pole lock
⑧	Polarization rib	None: No rib H: Half rib or end wall F: Full rib or end wall
⑨	Key code configuration	None: Full keyed 00: All key removed K(): Remove key on () position K0 (): Remain key on () position

RoHS2 compliance This product displays (LF)(SN) on a label.

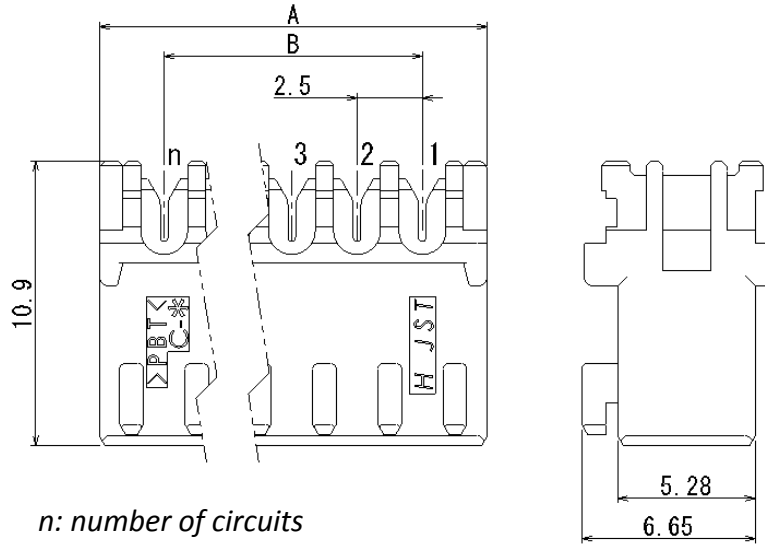
Note: Contact JST for other configurations if necessary

Note : For Circuit 11 to 20, contact JST sales person for availability and lead time

RSXA CONNECTOR

Dimension

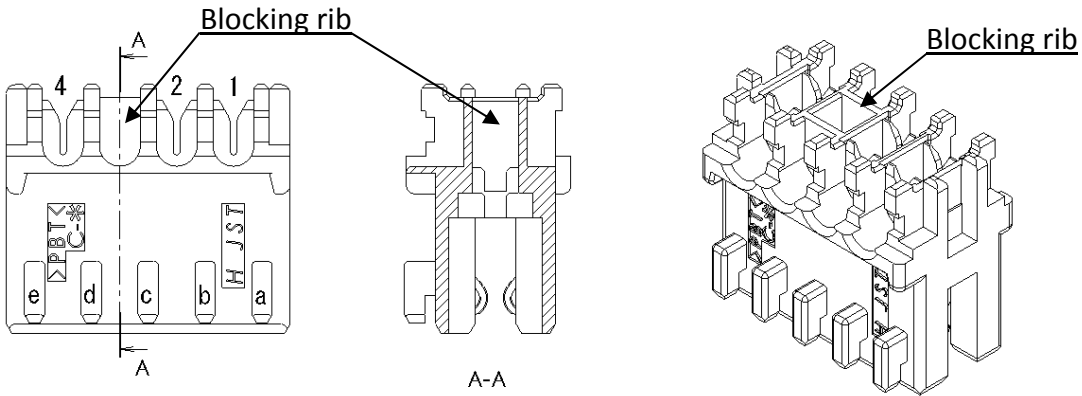
- Dimensions are applicable for all configurations.



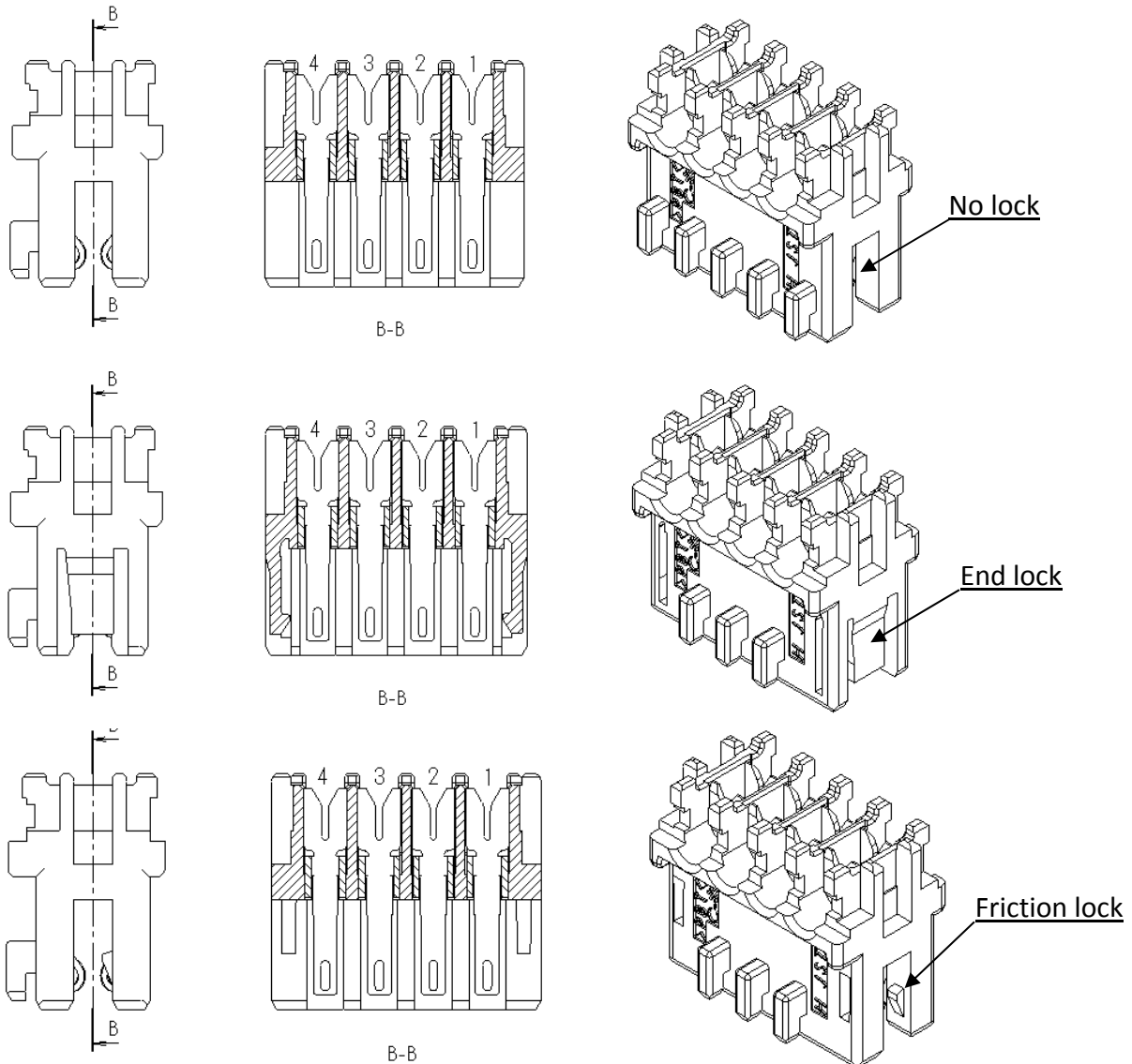
Number of Circuits (n)	Dimensions (mm)	
	A	B
2	7.48	2.5
3	9.98	5.0
4	12.48	7.5
5	14.98	10.0
6	17.48	12.5
7	19.98	15.0
8	22.48	17.5
9	24.98	20.0
10	27.48	22.5

RSXA connector

Blocking rib

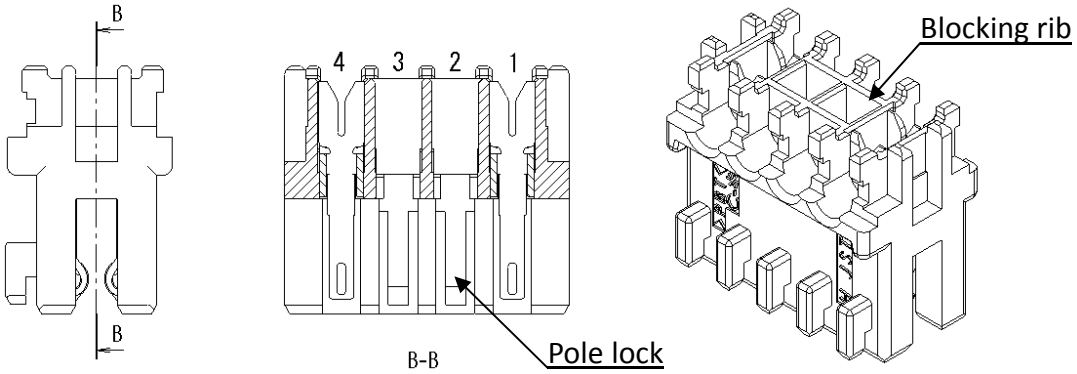


Lock configuration

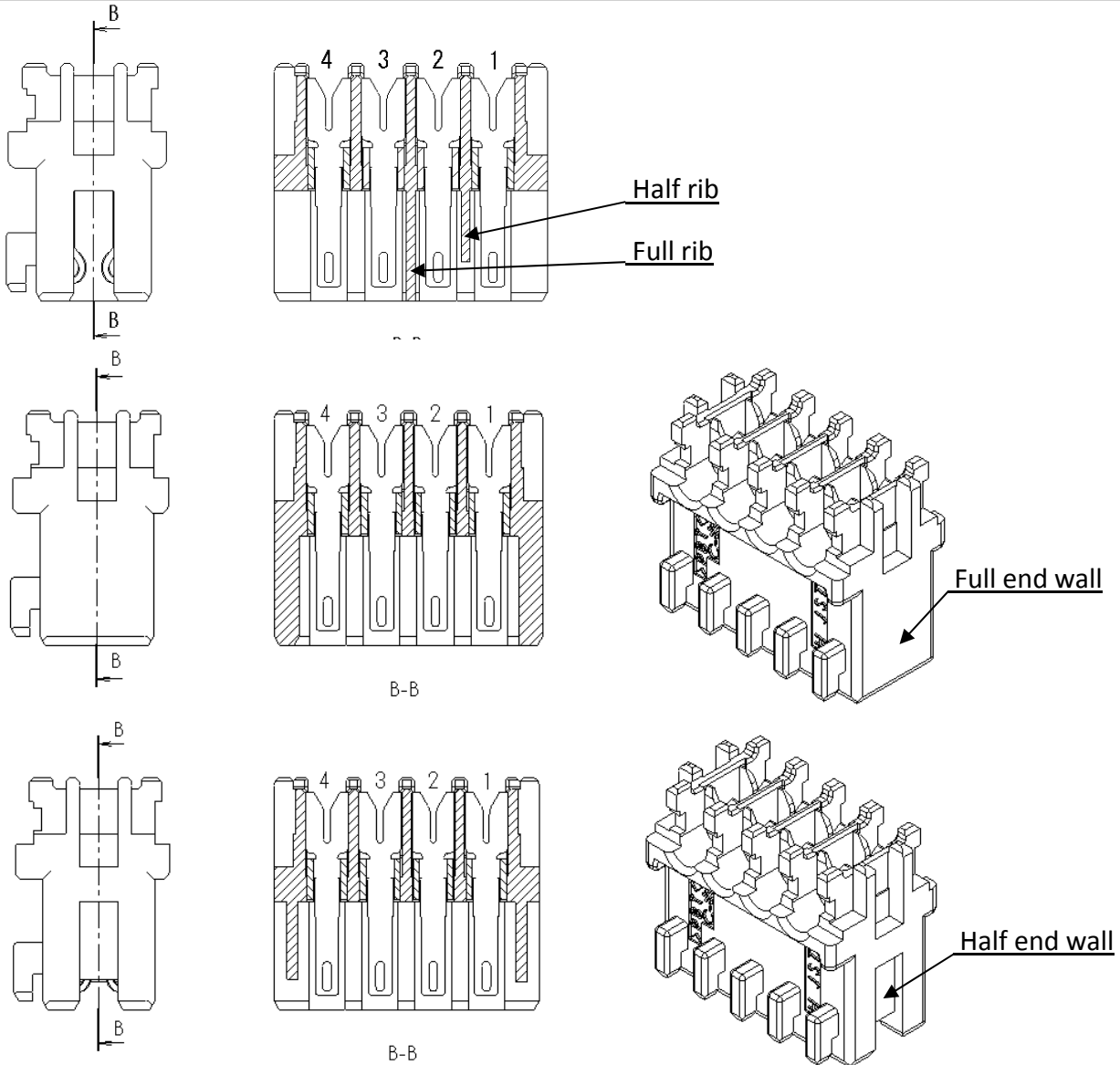


RSXA connector

Lock configuration



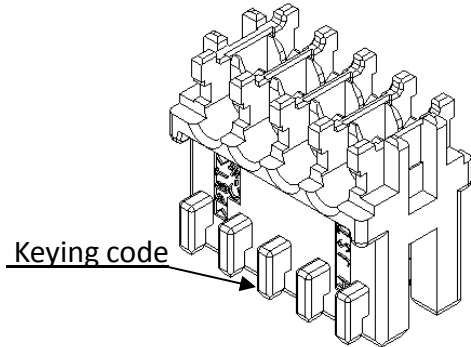
Polarization rib



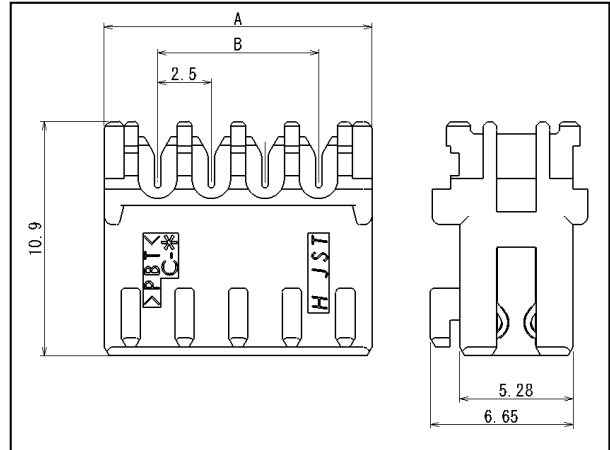
RSXA connector

RAST2.5 socket assembly basic design

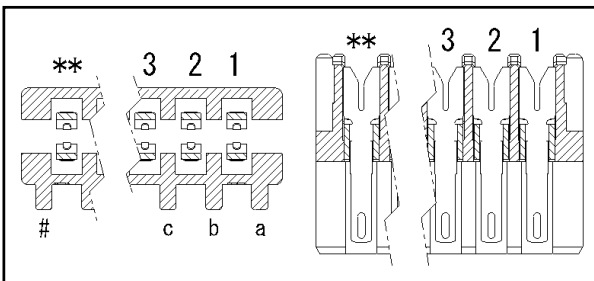
- Complies with RAST 2.5 standard
- 2 – 10 circuits
- Variable keying option available
- Applicable wire size AWG#24~ 22



Material
Housing: PBT, UL94V-0 (natural) Contact: Phosphor bronze, tin-plated



Number of Circuits (n)	Model No.	Dimensions (mm)	
		A	B
2	02RSXA-D0.38S-1	7.48	2.5
3	03RSXA-D0.38S-1	9.98	5.0
4	04RSXA-D0.38S-1	12.48	7.5
5	05RSXA-D0.38S-1	14.98	10.0
6	06RSXA-D0.38S-1	17.48	12.5
7	07RSXA-D0.38S-1	19.98	15.0
8	08RSXA-D0.38S-1	22.48	17.5
9	09RSXA-D0.38S-1	24.98	20.0
10	10RSXA-D0.38S-1	27.48	22.5

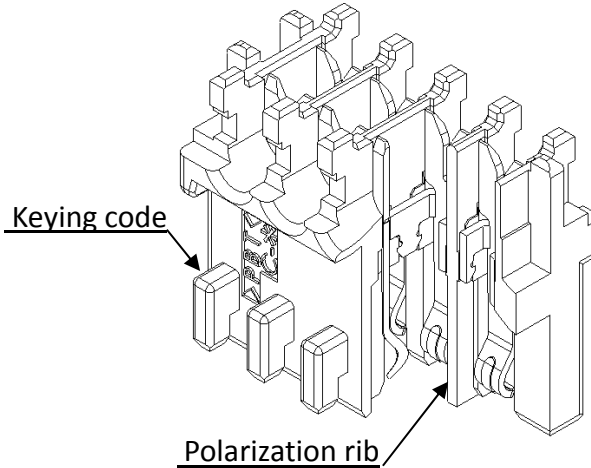


Model No.
**RSXA-D0.38S-1-K#
- **represents the circuit number (02, 03, ... 10) - # represents the keying code depending on circuit number (none: for full keyed; 00 for keyless) - No polarization rib or end wall - No lock configuration

RoHS2 compliance This product displays (LF)(SN) on a label.
 Note: Contact JST for other configurations if necessary
 Note : For Circuit 11 to 20, contact JST sales person for availability and lead time

RSXA connector

RAST2.5 socket assembly basic design with polarization ribs



Configuration
Model No.
**RSXA-D0.38S-1-^F-K#
<ul style="list-style-type: none"> - ** represents the circuit number (02, 03, ... 10) - # represents the keying code depending on circuit number (none: for full keyed; 00 for keyless) - ^ represents the polarization ribs location - No lock configuration

RoHS2 compliance This product displays (LF)(SN) on a label.

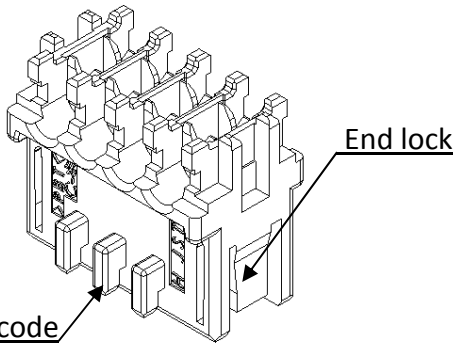
Note: Contact JST for other configurations if necessary

Note : For Circuit 11 to 20, contact JST sales person for availability and lead time

RSXA connector

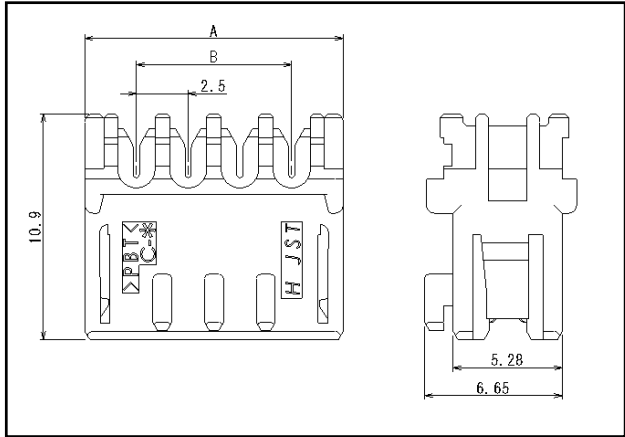
RAST 2.5 socket assembly end locks

- Complies with RAST 2.5 standard
- 2 – 10 circuits
- Variable keying option available
- Applicable wire size AWG#24~ 22

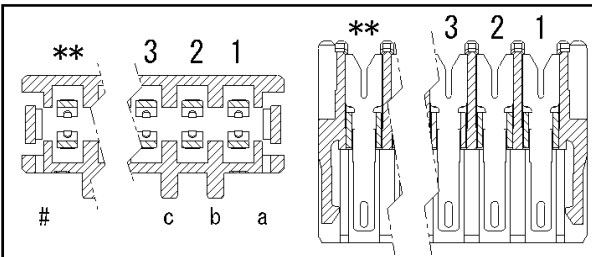


Material

Housing: PBT, UL94V-0 (natural)
Contact: Phosphor bronze, tin-plated



Number of Circuits (n)	Model No.	Dimensions (mm)	
		A	B
2	02RSXA-D0.38S-E-KAC	7.48	2.5
3	03RSXA-D0.38S-E-KAD	9.98	5.0
4	04RSXA-D0.38S-E-KAE	12.48	7.5
5	05RSXA-D0.38S-E-KAF	14.98	10.0
6	06RSXA-D0.38S-E-KAG	17.48	12.5
7	07RSXA-D0.38S-E-KAH	19.98	15.0
8	08RSXA-D0.38S-E-KAI	22.48	17.5
9	09RSXA-D0.38S-E-KAJ	24.98	20.0
10	10RSXA-D0.38S-E-KAK	27.48	22.5



Model No.

**RSXA-D0.38S-E-K#

- ** represents the circuit number (02, 03, ... 10)
- # represents the keying code depending on circuit number (first and last key will be removed for end lock)
- No polarization rib or end wall
- End lock configuration

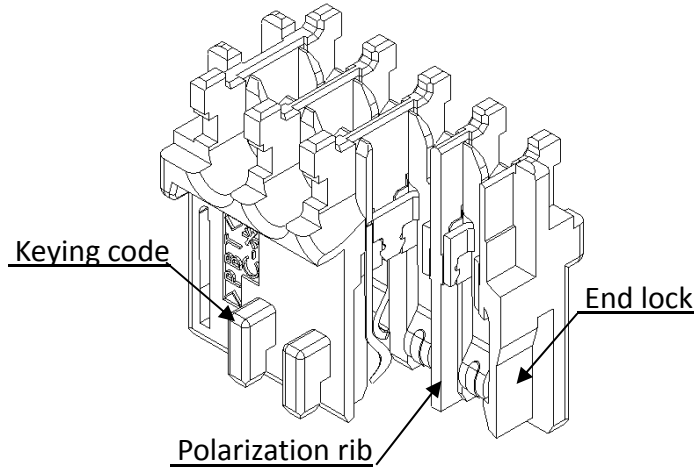
RoHS2 compliance This product displays (LF)(SN) on a label.

Note: Contact JST for other configurations if necessary

Note : For Circuit 11 to 20, contact JST sales person for availability and lead time

RSXA connector

RAST 2.5 socket assembly end locks with polarization ribs



Configuration		
Model No.		
<p>**RSXA-D0.38S-E-^F-K#</p>		
<ul style="list-style-type: none"> - ** represents the circuit number (02, 03, ... 10) - # represents the keying code depending on circuit number (first and last key will be removed for end lock) - ^ represents the polarization ribs location - End lock configuration 		

RoHS2 compliance This product displays (LF)(SN) on a label.

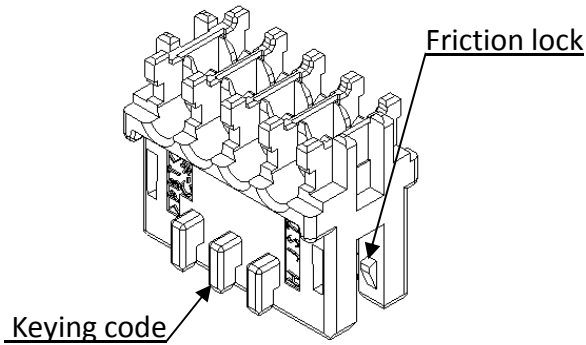
Note: Contact JST for other configurations if necessary

Note : For Circuit 11 to 20, contact JST sales person for availability and lead time

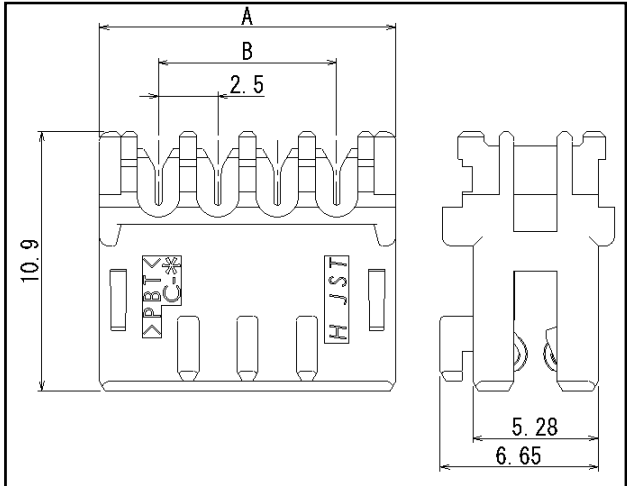
RSXA connector

RAST 2.5 socket assembly friction locks

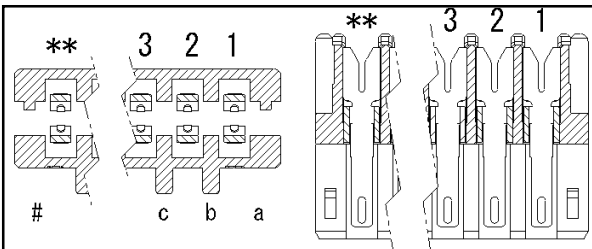
- Complies with RAST 2.5 standard
- 2 – 10 circuits
- Variable keying option available
- Applicable wire size AWG#24~ 22



Material
Housing: PBT, UL94V-0 (natural) Contact: Phosphor bronze, tin-plated



Number of Circuits (n)	Model No.	Dimensions (mm)	
		A	B
2	02RSXA-D0.38S-F-KAC	7.48	2.5
3	03RSXA-D0.38S-F-KAD	9.98	5.0
4	04RSXA-D0.38S-F-KAE	12.48	7.5
5	05RSXA-D0.38S-F-KAF	14.98	10.0
6	06RSXA-D0.38S-F-KAG	17.48	12.5
7	07RSXA-D0.38S-F-KAH	19.98	15.0
8	08RSXA-D0.38S-F-KAI	22.48	17.5
9	09RSXA-D0.38S-F-KAJ	24.98	20.0
10	10RSXA-D0.38S-F-KAK	27.48	22.5

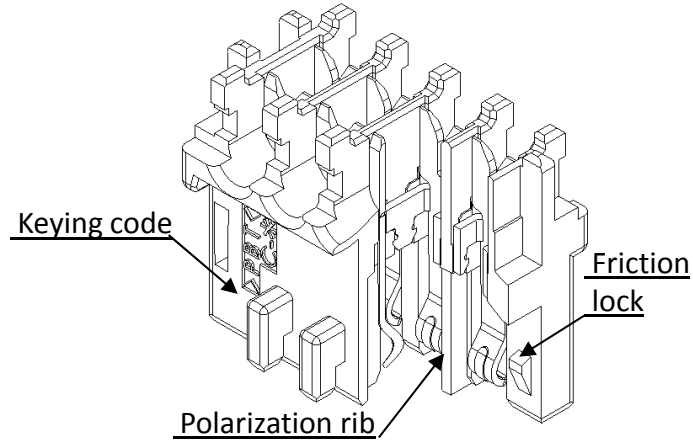


Model No.
**RSXA-D0.38S-F-K#
<ul style="list-style-type: none"> ** represents the circuit number (02, 03, ... 10) # represents the keying code depending on circuit number (first and last key will be removed for friction lock) No polarization rib or end wall Friction lock configuration

RoHS2 compliance This product displays (LF)(SN) on a label.
 Note: Contact JST for other configurations if necessary
 Note : For Circuit 11 to 20, contact JST sales person for availability and lead time

RSXA connector

RAST 2.5 socket assembly friction locks with polarization ribs



Configuration	
Model No.	
**RSXA-D0.38S-F-^F-K#	
<ul style="list-style-type: none"> - ** represents the circuit number (02, 03, ... 10) - # represents the keying code depending on circuit number (first and last key will be removed for end lock) - ^ represents the polarization ribs location - Friction lock configuration 	

RoHS2 compliance This product displays (LF)(SN) on a label.

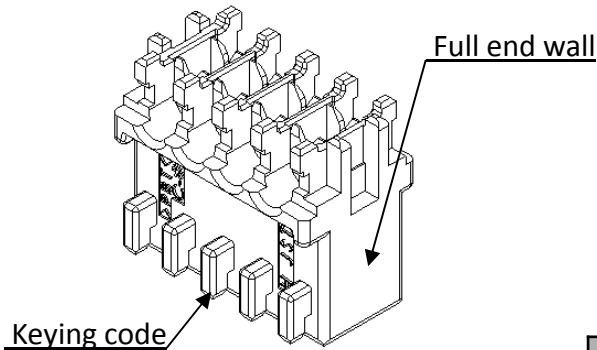
Note: Contact JST for other configurations if necessary

Note : For Circuit 11 to 20, contact JST sales person for availability and lead time

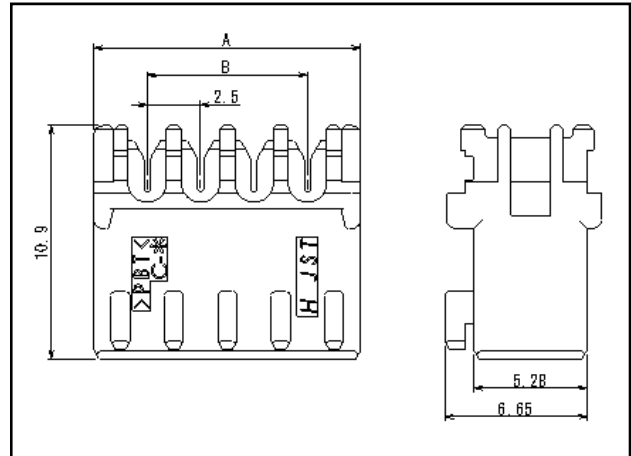
RSXA connector

RAST 2.5 socket assembly full end walls

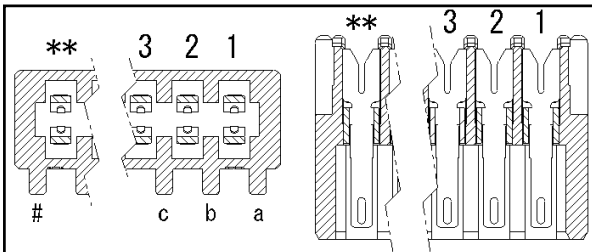
- Complies with RAST 2.5 standard
- 2 – 10 circuits
- Variable keying option available
- Applicable wire size AWG#24~ 22



Material
Housing: PBT, UL94V-0 (natural) Contact: Phosphor bronze, tin-plated



Number of Circuits (n)	Model No.	Dimensions (mm)	
		A	B
2	02RSXA-D0.38S-1-F2F	7.48	2.5
3	03RSXA-D0.38S-1-F3F	9.98	5.0
4	04RSXA-D0.38S-1-F4F	12.48	7.5
5	05RSXA-D0.38S-1-F5F	14.98	10.0
6	06RSXA-D0.38S-1-F6F	17.48	12.5
7	07RSXA-D0.38S-1-F7F	19.98	15.0
8	08RSXA-D0.38S-1-F8F	22.48	17.5
9	09RSXA-D0.38S-1-F9F	24.98	20.0
10	10RSXA-D0.38S-1-F10F	27.48	22.5

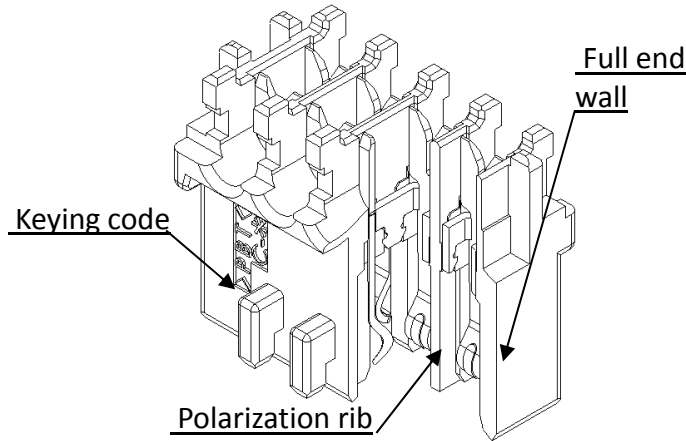


Model No.
**RSXA-D0.38S-1-F*F-K#
<ul style="list-style-type: none"> - ** represents the circuit number (02, 03, ... 10) - # represents the keying code depending on circuit number - * represents circuit number (2, 3, ...10) - No polarization rib - Full end walls configuration

RoHS2 compliance This product displays (LF)(SN) on a label.
 Note: Contact JST for other configurations if necessary
 Note : For Circuit 11 to 20, contact JST sales person for availability and lead time

RSXA connector

RAST 2.5 socket assembly full end walls with polarization ribs



Configuration
Model No.
<p>**RSXA-D0.38S-1-F^F*K#</p>
<ul style="list-style-type: none"> - ** represents the circuit number (02, 03, ... 10) - # represents the keying code depending on circuit number (first and last key will be removed for end lock) - * represents circuit number (2, 3, ...10) - ^ represents the polarization ribs location - Full end walls configuration

RoHS2 compliance This product displays (LF)(SN) on a label.

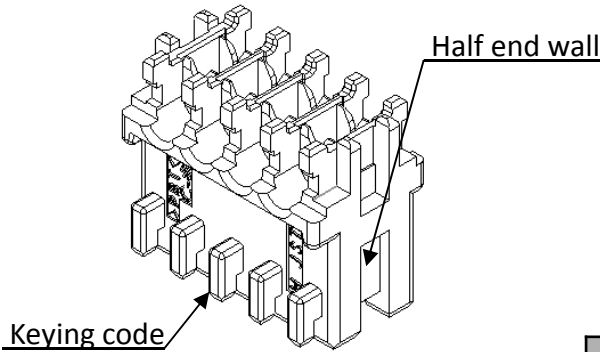
Note: Contact JST for other configurations if necessary

Note : For Circuit 11 to 20, contact JST sales person for availability and lead time

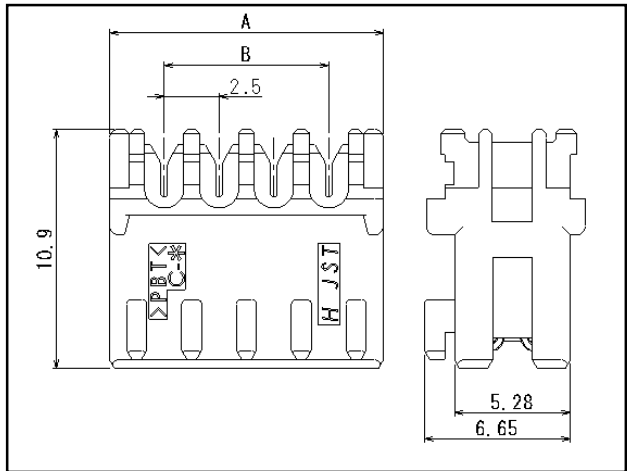
RSXA connector

RAST 2.5 socket assembly half end walls

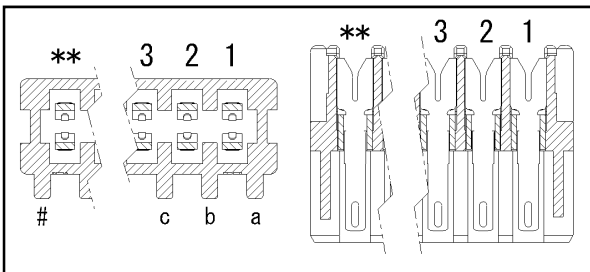
- Complies with RAST 2.5 standard
- 2 – 10 circuits
- Variable keying option available
- Applicable wire size AWG#24~ 22



Material
Housing: PBT, UL94V-0 (natural) Contact: Phosphor bronze, tin-plated



Number of Circuits (n)	Model No.	Dimensions (mm)	
		A	B
2	02RSXA-D0.38S-1-H2H	7.48	2.5
3	03RSXA-D0.38S-1-H3H	9.98	5.0
4	04RSXA-D0.38S-1-H4H	12.48	7.5
5	05RSXA-D0.38S-1-H5H	14.98	10.0
6	06RSXA-D0.38S-1-H6H	17.48	12.5
7	07RSXA-D0.38S-1-H7H	19.98	15.0
8	08RSXA-D0.38S-1-H8H	22.48	17.5
9	09RSXA-D0.38S-1-H9H	24.98	20.0
10	10RSXA-D0.38S-1-H10H	27.48	22.5

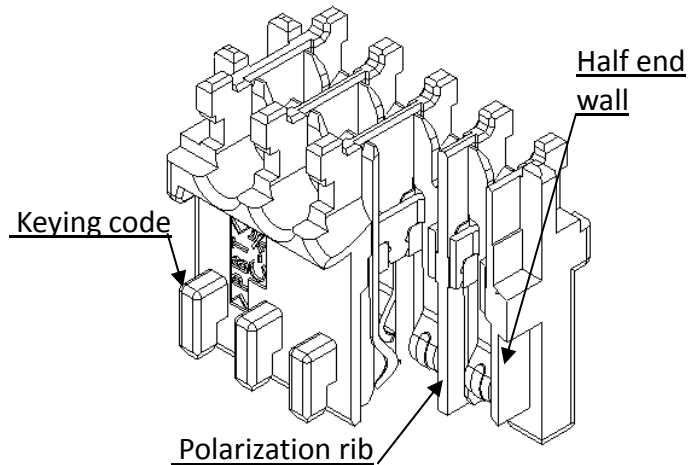


Model No.
**RSXA-D0.38S-1-H*H-K#
<ul style="list-style-type: none"> ** represents the circuit number (02, 03, ... 10) # represents the keying code depending on circuit number * represents circuit number (2, 3, ...10) No polarization rib Half end walls configuration

RoHS2 compliance This product displays (LF)(SN) on a label.
 Note: Contact JST for other configurations if necessary
 Note : For Circuit 11 to 20, contact JST sales person for availability and lead time

RSXA connector

RAST 2.5 socket assembly half end walls with polarization ribs



Configuration
Model No.
<p>**RSXA-D0.38S-1-H^F*H-K#</p>
<ul style="list-style-type: none"> - ** represents the circuit number (02, 03, ... 10) - # represents the keying code depending on circuit number (first and last key will be removed for end lock) - * represents circuit number (2, 3, ...10) - ^ represents the polarization ribs location - Half end walls configuration

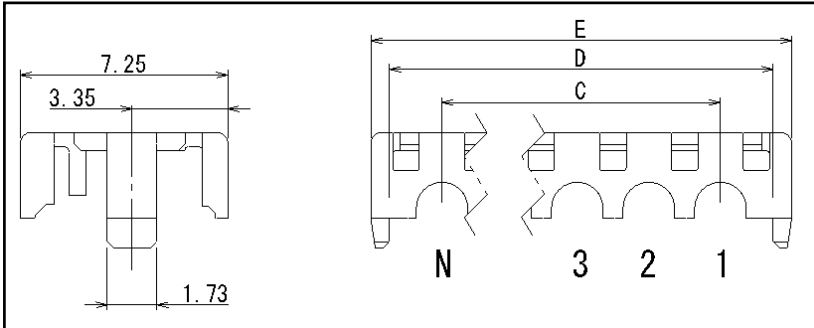
RoHS2 compliance This product displays (LF)(SN) on a label.

Note: Contact JST for other configurations if necessary

Note : For Circuit 11 to 20, contact JST sales person for availability and lead time

RSXA connector

Cover



Material

Housing: Nylon 66, UL94V-0 (natural)

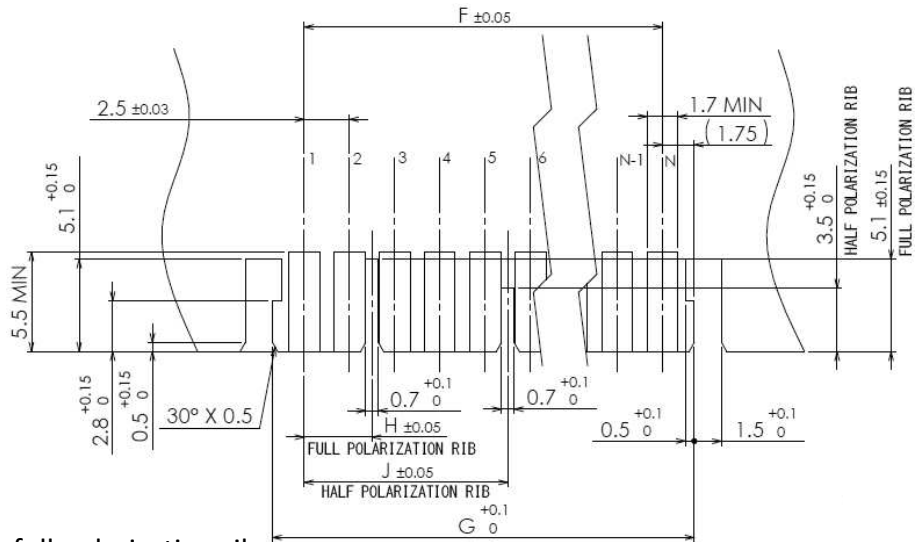
No of Circuits	Model No.	Dimensions (mm)		
		C	D	E
2	RSXAC-02VS	2.5	6.19	7.48
3	RSXAC-03VS	5.0	8.69	9.98
4	RSXAC-04VS	7.5	11.19	12.48
5	RSXAC-05VS	10.0	13.69	14.98
6	RSXAC-06VS	12.5	16.19	17.48
7	RSXAC-07VS	15.0	18.69	19.98
8	RSXAC-08VS	17.5	21.19	22.48
9	RSXAC-09VS	20.0	23.69	24.98
10	RSXAC-10VS	22.5	26.19	27.48

RoHS2 compliance

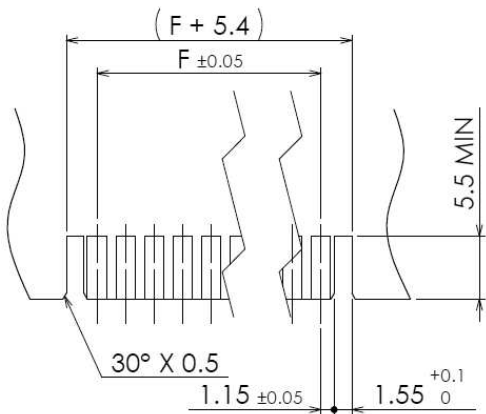
Note : For Circuit 11 to 20, contact JST sales person for availability and lead time

RSXA connector

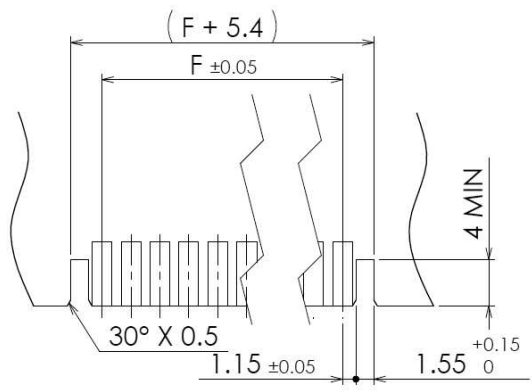
PC Board layouts



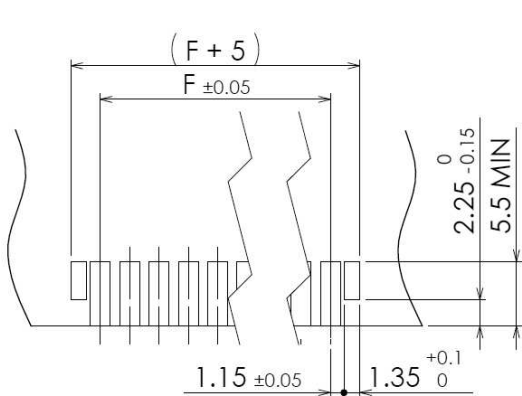
End lock, half & full polarization rib



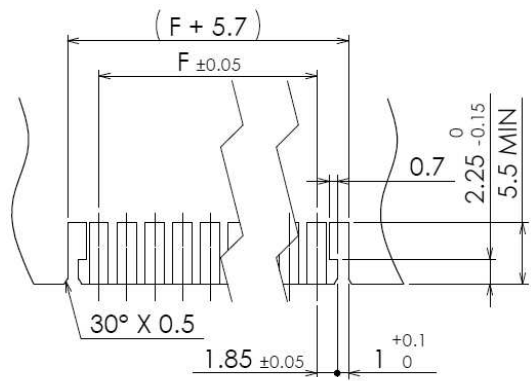
Full end wall



Half end wall



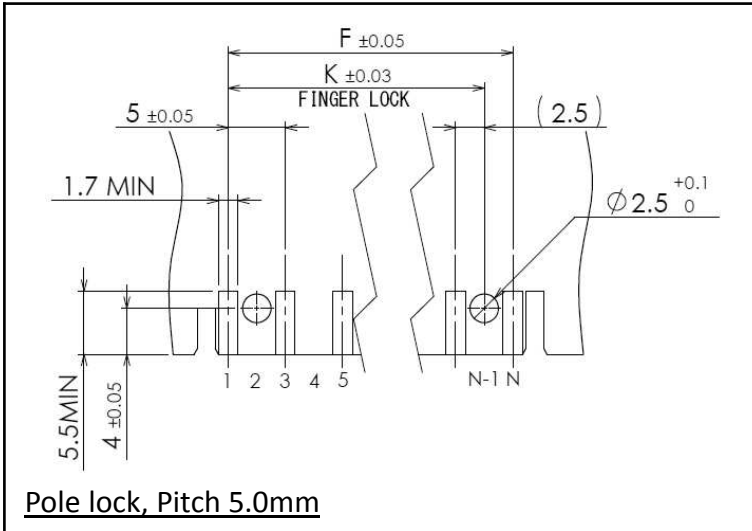
Friction lock



Friction lock & full end wall

RSXA connector

PC Board layouts



F	$(N-1) \times 2.5$	N: Number of circuits
G	$(N-1) \times 2.5 + 3.5$	
H	$(X-1) \times 2.5 + 1.25$	X: Position before the full polarization rib
J	$(Y-1) \times 2.5 + 1.25$	Y: Position before the half polarization rib
K	$(K-1) \times 2.5$	K: Position of the finger lock

RSXA connector

Termination machines

- Pneumatic Press
 - Model No: MP-2AW
- Termination Unit
 - Model No: MP-2AW-RSX
 - Model No: MP-2LW-RSX (for Daisy Chain)



- Hand Press
 - Model No: HPD-M2A



- Applicator
 - Model No: H2-RSX



- Semi Automatic and Fully Automatic Termination Equipment
 - JST has semi and fully automatic termination equipment to build custom harnesses. Please contact JST sales person for more information.