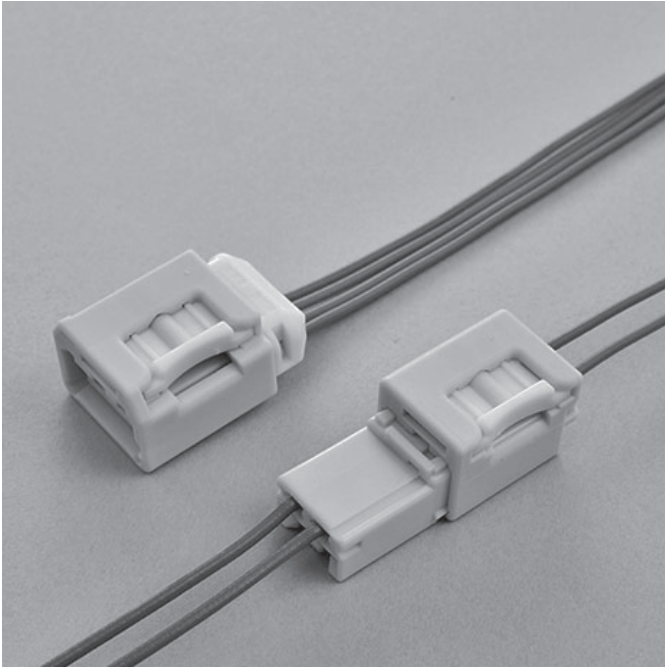


BAB CONNECTOR

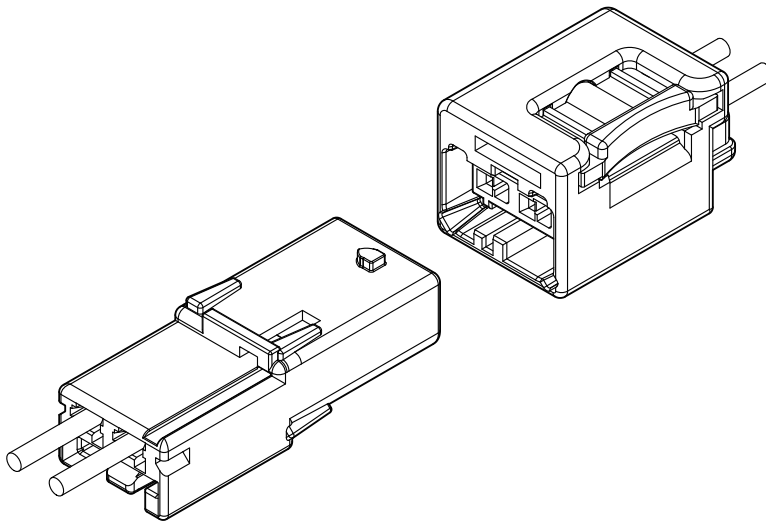
Wire-to-wire



Features

- **Go / No-Go Mating System**
Compression spring prevents half-mating.
- **Anti Vibration Mechanism**
High reliability rigid connector enables to keep higher durability at shock and vibration environment.
- **Compact size**

0.64 mm wire-to-wire connector with rigid design and spring lock mechanism.
Spring force prevents half-mating during mating and keeps constant rigid connection between male and female connector.

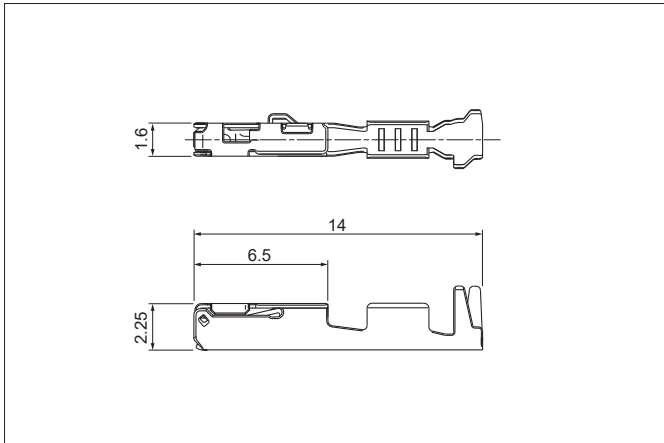


Specifications

- Current rating: 3 A AC, DC max. (0.3 mm²)
5 A AC, DC max. (0.5 mm²)
- Withstanding voltage: 1,000 VAC/minute
- Temperature range: -40°C to +80°C
(including temperature rise in applying electrical current)
- Contact resistance: Initial value/ 10 mΩ max.
After environmental tests/ 20 mΩ max.
- Insulation resistance: 100 MΩ min.
- Applicable wire: AVSS
0.3 mm² to 0.5 mm²

* Compliant with ELV/RoHS2.
* Contact JST for details.

Female terminal

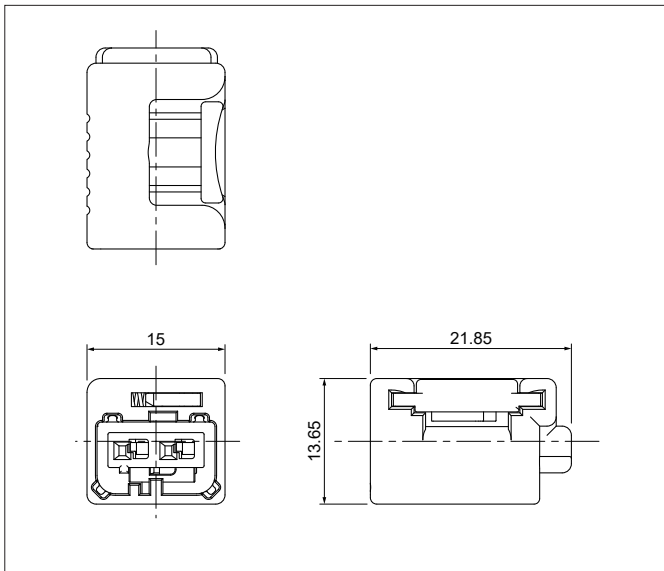


Model No.	Applicable wire range		Q'ty/reel
	Conductor (mm ²)	Insulation O.D. (mm)	
①SAIT-A03T-M064	0.3 to 0.5	≤1.9	6,500
②SAIT-A03GF-M064	0.3 to 0.5	≤1.9	6,500

Material and Finish

- ①Copper alloy, tin-plated (reflow treatment)
- ②Copper alloy, nickel-undercoated, Contact area; gold-plated
Barrel area; tin-plated

Female connector



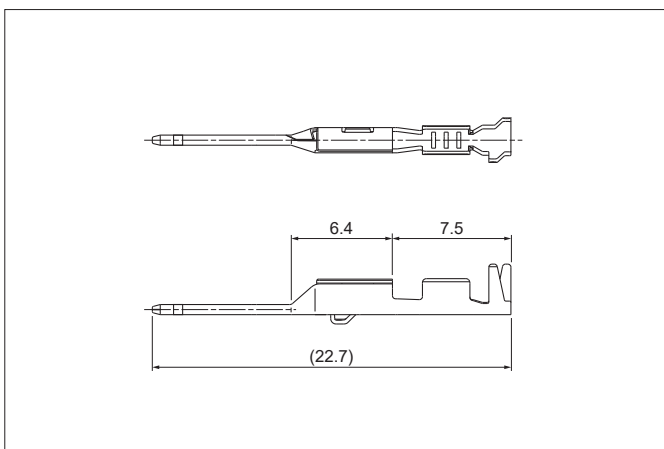
Circuits	Model No.	Q'ty/box
2	BABRB-02-1A-Y()	300

Material and Finish

- Housing: PA, Yellow
- Retainer: Glass-filled PBT, Natural
- Slider: Glass-filled PBT, Natural
- Spring: SUS

Note: Key codes other than above-mentioned housing are also available.
Contact JST for details.

Male terminal



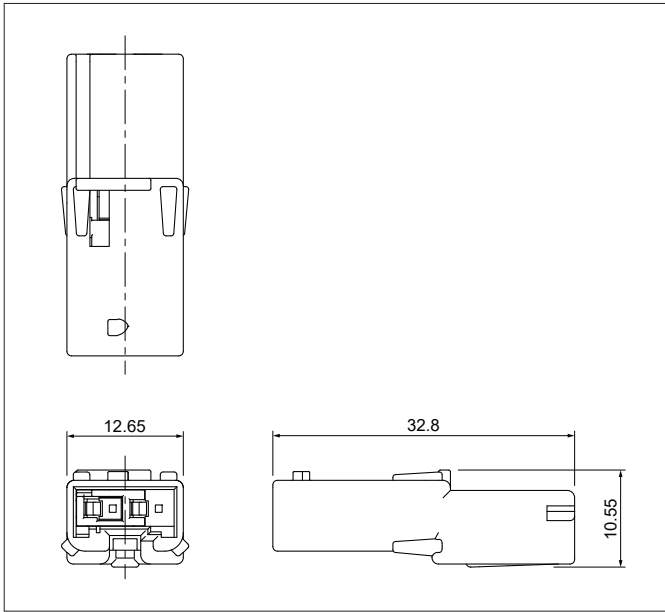
Model No.	Applicable wire range		Q'ty/reel
	Conductor (mm ²)	Insulation O.D. (mm)	
①SAITW-A03T-064	0.3 to 0.5	≤1.9	9,000
②SAITW-A03GF-064	0.3 to 0.5	≤1.9	9,000

Material and Finish

- ①Brass, tin-plated (reflow treatment)
- ②Brass, nickel-undercoated, Contact area; gold-plated
Barrel area; tin-plated

BAB CONNECTOR

Male connector



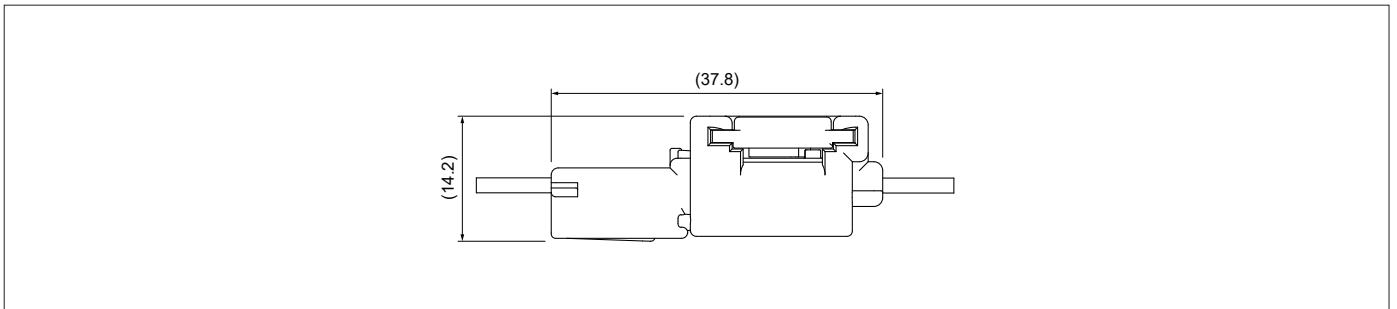
Circuits	Model No.	Q'ty/box
2	BABPB-02-1A-Y()	300

Material and Finish

Housing: PA, Yellow
Retainer: PBT, Natural

Note: Key codes other than above-mentioned housing are also available.
Contact JST for details.

Assembly layout



Crimping machine, Applicator

Strip terminal	Crimping machine	Crimp applicator MKS-L	
		Dies	Crimp applicator with dies
SAIT-A03()-M064	AP-K2N	MK/SAIT-A03-064	APLMK SAIT-A03-064
SAITW-A03()-064		MK/SAITW-A03-064	APLMK SAITW-A03-064

Note: When crimping operation is conducted using an applicator and die set other than the above, JST cannot guarantee the performance of the terminal.