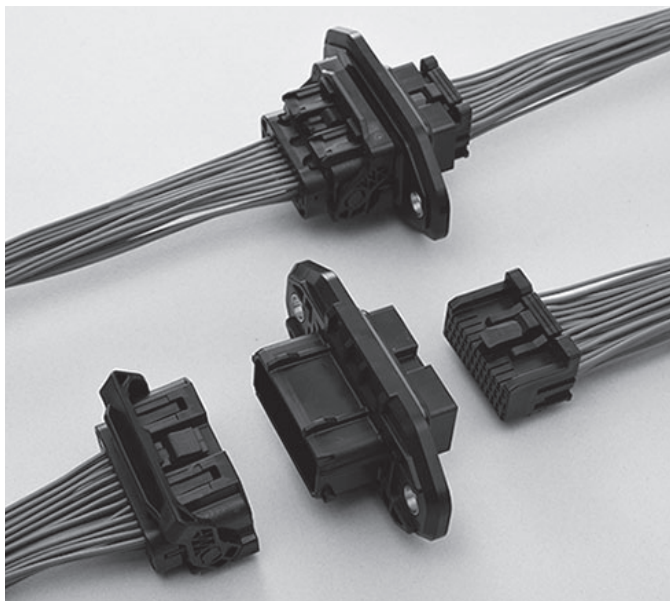


EVZ2 CONNECTOR

Wire-to-wire/Panel Mount connector

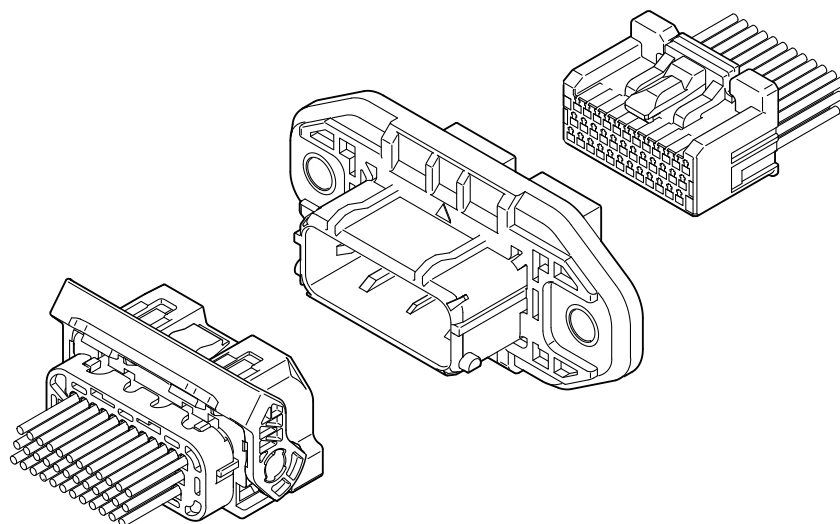


Features

- **3 pieces structure**
The case mounted male connector connects inside and outside of the case with harness.
- **Sealed**
Only attaching male connector to case body, it ensures waterproof performance.
Double seal structure of surface and shaft seal realizes the strong waterproof property.
- **Variation**
Lineup of 10, 27 and 36 circuits.
Terminal plating is selectable from gold-plated or tin-plated.

This connector is wire-to-wire, waterproof panel mount connector.

It is possible to connect inside and outside of the case with harness by mounting male connector to the case.



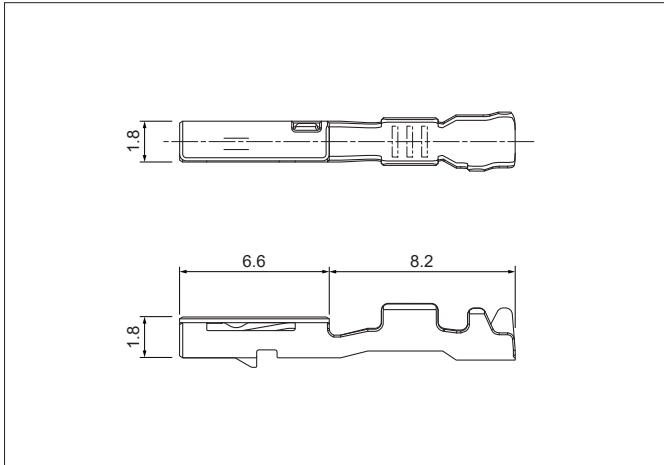
Specifications

- Current rating: 5 A DC
(0.5 mm², including temperature rise in applying electrical current when individual energized)
- Withstanding voltage: 1,000 VAC/minute
- Temperature range: -40°C to +125°C
(including temperature rise in applying electrical current)
- Contact resistance: Initial value/ 10 mΩ max.
After environmental tests/ 20 mΩ max.
- Insulation resistance: 100 MΩ min.
- Applicable wire: **【Outside waterproof connector】**
AESSX/AVSS/AVSSH;
0.5 mm² to 0.85 mm²
※36 circuits can only use 0.3 mm²~
【Inside non-waterproof connector】
AESSX/AVSS/AVSSH;
0.3 mm² to 0.5 mm²

* Compliant with ELV/RoHS2.

* Contact JST for details.

Female terminal



Model No.	Applicable wire range		Q'ty/reel
	Conductor (mm ²)	Insulation O.D. (mm)	
SZRO-A021T-M0.64	0.3 to 0.5	1.4 to 1.7	7,500
SZRO-A031T-M0.64	0.75 to 0.85	1.8 to 1.9	7,000

Material and Finish

Copper alloy, tin-plated (reflow treatment)

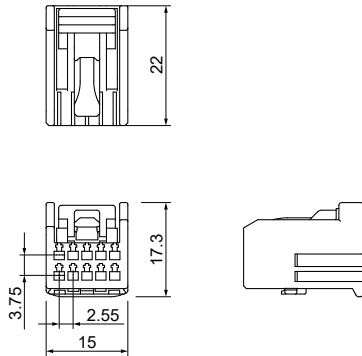
Model No.	Applicable wire range		Q'ty/reel
	Conductor (mm ²)	Insulation O.D. (mm)	
SWPH-A021GF-M0.64	0.3 to 0.5	1.4 to 1.7	10,000

Material and Finish

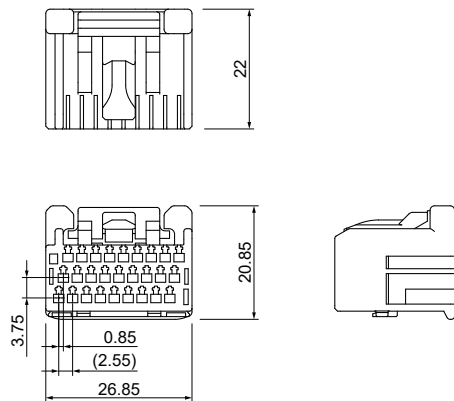
Copper alloy, Contact area; Selective gold-plated
Barrel area; tin-plated

Female connector (Non-waterproof)

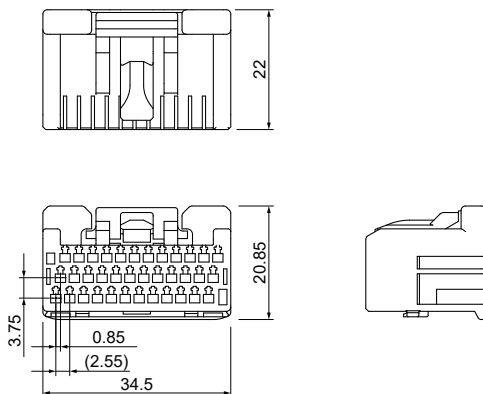
●10 circuits



●27 circuits



●36 circuits



Circuits	Model No.	Key Code	Housing Color	Q'ty/box
10	10EVZ-B-K-2A	A	Black	2,673
	10EVZ-B-H-2B	B	Gray	
27	27EVZ-B-K-2A	A	Black	1,350
36	36EVZ-B-K-2A	A	Black	990

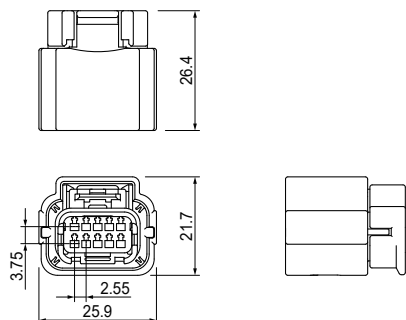
Material and Finish

Housing: Glass-filled PBT

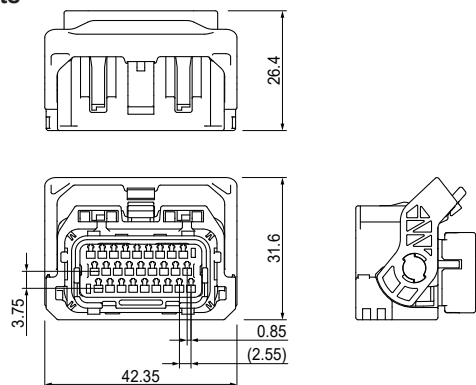
EVZ2 CONNECTOR

Female connector (Waterproof)

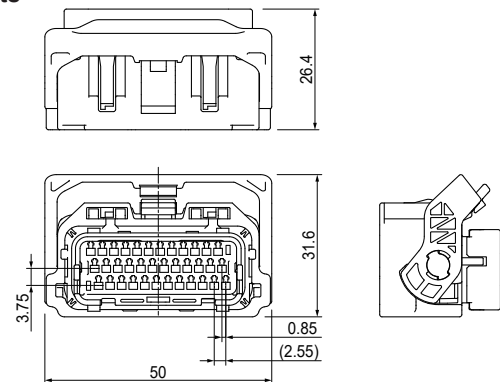
●10 circuits



●27 circuits



●36 circuits



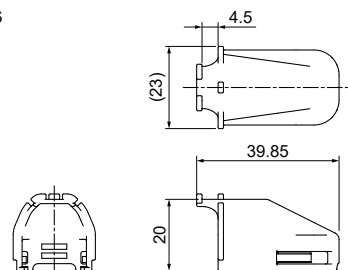
Circuits	Model No.	Key Code	Applicable wire range (mm ²)	Housing Color	Wire seal Color	Q'ty/box
10	10EVZ-B-K-1A	A	0.5 to 0.85	Black	Brown	1,080
	10EVZ-B-H-1B	B		Gray		
27	27ZRO-B-1A	A	0.5 to 0.85	Black	Brown	576
36	36ZRO-B-1A	A	0.5 to 0.85	Black	Brown	512
	36ZRO-B-2A		0.3 to 0.85		Red	512

Material and Finish

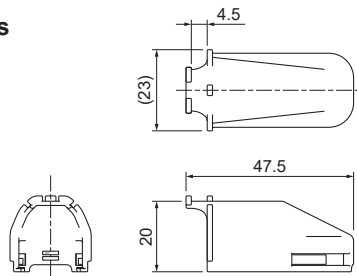
Housing: Glass-filled PBT
Seal: Silicone
Lever: POM

Harness cover

●27circuits



●36 circuits

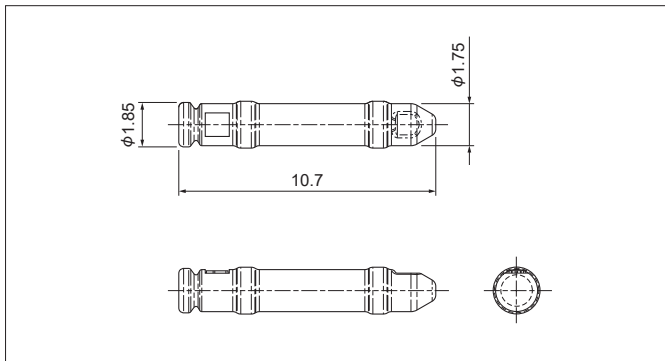


Circuits	Model No.	Housing Color	Q'ty/box
10	No Option		
27	ZROHC-27H-K-1	Black	1,200
36	ZROHC-36H-K-1	Black	900

Material and Finish

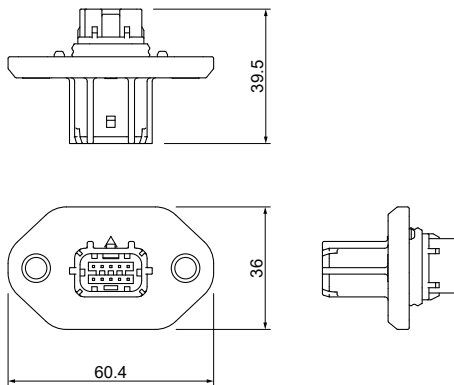
PBT

Dummy plug

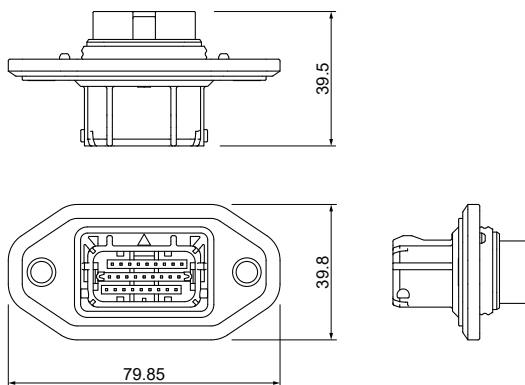


Male connector

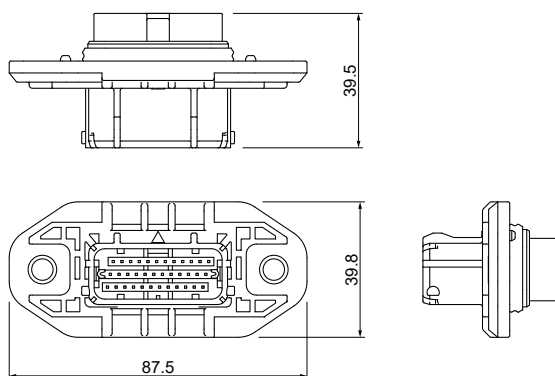
●10 circuits



●27 circuits



●36 circuits



Model No.	Q'ty/box
WPHDP-H-1A-H	7,000
Material and Finish	
PBT, Gray	

Plating	Circuits	Model No.	Key Code	Housing Color	Q'ty/box
Sn	10	BU10B-EVZ2K-2A1	A	Black	100
		BU10B-EVZ2H-2B1	B	Gray	100
	27	BU27B-EVZ2K-2A1	A	Black	75
		BU36B-EVZ2K-2A1	A	Black	120
Au	10	BU10B-EVZ2K-2A3	A	Black	100
		BU10B-EVZ2H-2B3	B	Gray	100
	27	BU27B-EVZ2K-2A3	A	Black	75
		BU36B-EVZ2K-2A3	A	Black	120

Material and Finish

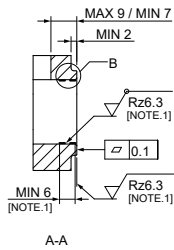
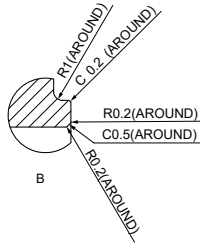
Housing: Glass-filled PBT
 Seal: Silicone
 Bush: Brass
 Male terminal: Brass
 Sn: Tin-plated (reflow treatment)
 Au: Selective gold-plated

EVZ2 CONNECTOR

Assembly layout

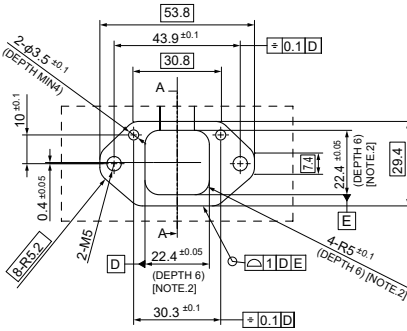
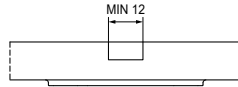
Recommended shape of the panel mounting part

●10 circuits

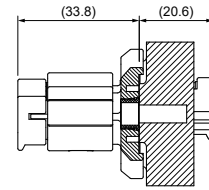
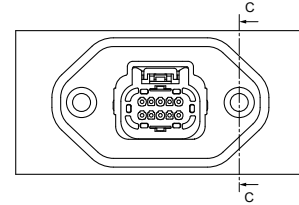


NOTE.

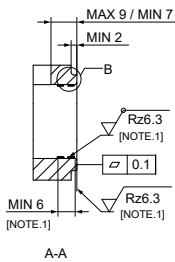
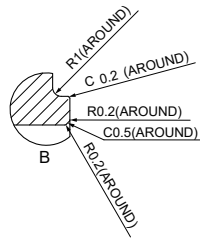
- 1.The designated place is the waterproof surface.
Keep the surface roughness lower than Rz6.3.
- 2.The designated dimensions and tolerances are applied to the waterproof range of 6mm in depth.
- 3.Recommended material of the chassis is equivalent to aluminum material (ADC12).



Assemble state

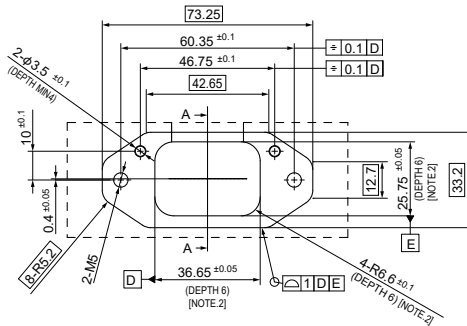
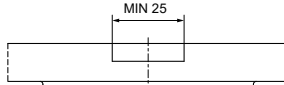


●27 circuits

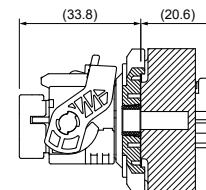
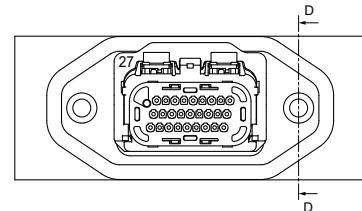


NOTE.

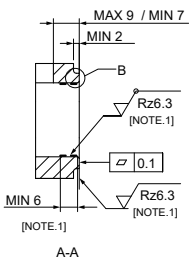
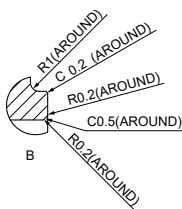
- 1.The designated place is the waterproof surface.
Keep the surface roughness lower than Rz6.3.
- 2.The designated dimensions and tolerances are applied to the waterproof range of 6mm in depth.
- 3.Recommended material of the chassis is equivalent to aluminum material (ADC12).



Assemble state

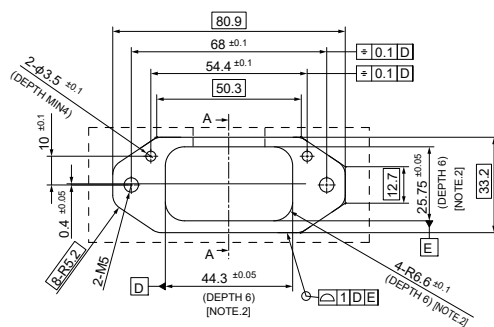
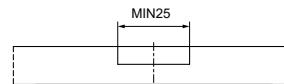


●36 circuits

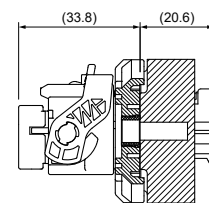
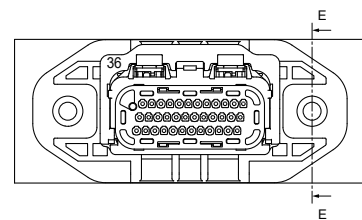


NOTE.

- 1.The designated place is the waterproof surface.
Keep the surface roughness lower than Rz6.3.
- 2.The designated dimensions and tolerances are applied to the waterproof range of 6mm in depth.
- 3.Recommended material of the chassis is equivalent to aluminum material (ADC12).



Assemble state



Crimping machine, Applicator

Strip terminal	Crimping machine	Crimp applicator MKS-L	
		Dies	Crimp applicator with dies
SZRO-A021T-M0.64	AP-K2N	MK/SWPH-A021-064	APLMK SWPH-A021-064
SWPH-A021GF-M0.64			
SZRO-A031T-M0.64		MK/SZRO-A031-064	APLMK SZRO-A031-064

Note: When crimping operation is conducted using an applicator and die set other than the above, JST cannot guarantee the performance of the terminal.