

2.54mm pitch, 0.64 unsealed connector for automotive corresponding to the surface mounting.

### Features

#### ●Miniaturization

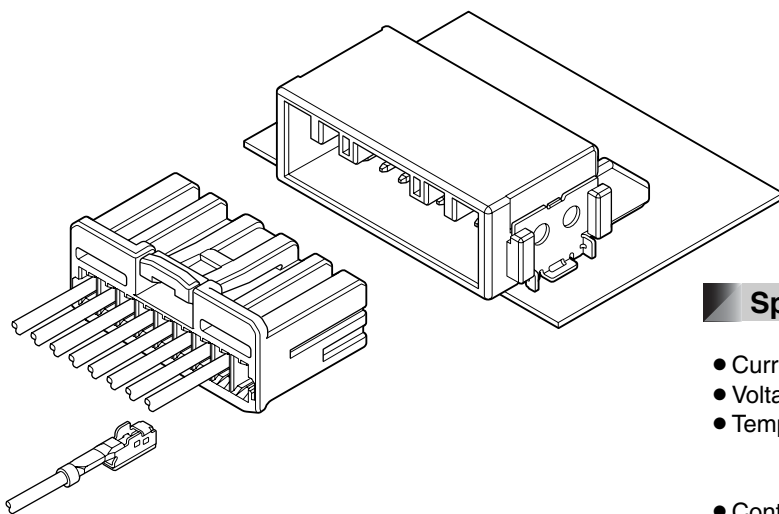
Using the short length female terminal, the miniaturization is realized.

#### ●Surface mounting

Corresponding to the surface mounting (lead-free), mounting workability is improved.

#### ●Reliability

High reliability ensures by using proven female terminal in the automotive electrical equipment.

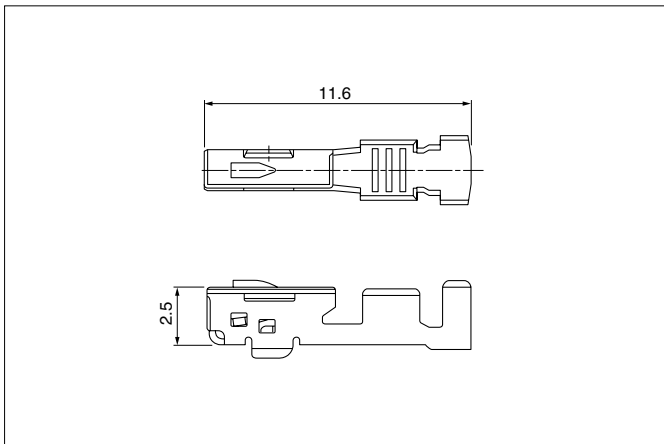


### Specifications

- Current rating: 5A AC, DC (0.5mm<sup>2</sup>, Single circuit)
- Voltage rating: 50V AC, DC
- Temperature range: -40°C to +120°C  
(including temperature rise in applying electrical current)
- Contact resistance: Initial value/10mΩ max.  
After environmental testing/20mΩ max.
- Applicable wire: AVSS  
0.3mm<sup>2</sup> to 0.5mm<sup>2</sup>

- \* Compliant with ELV/RoHS.
- \* Contact JST for details.

## Female terminal

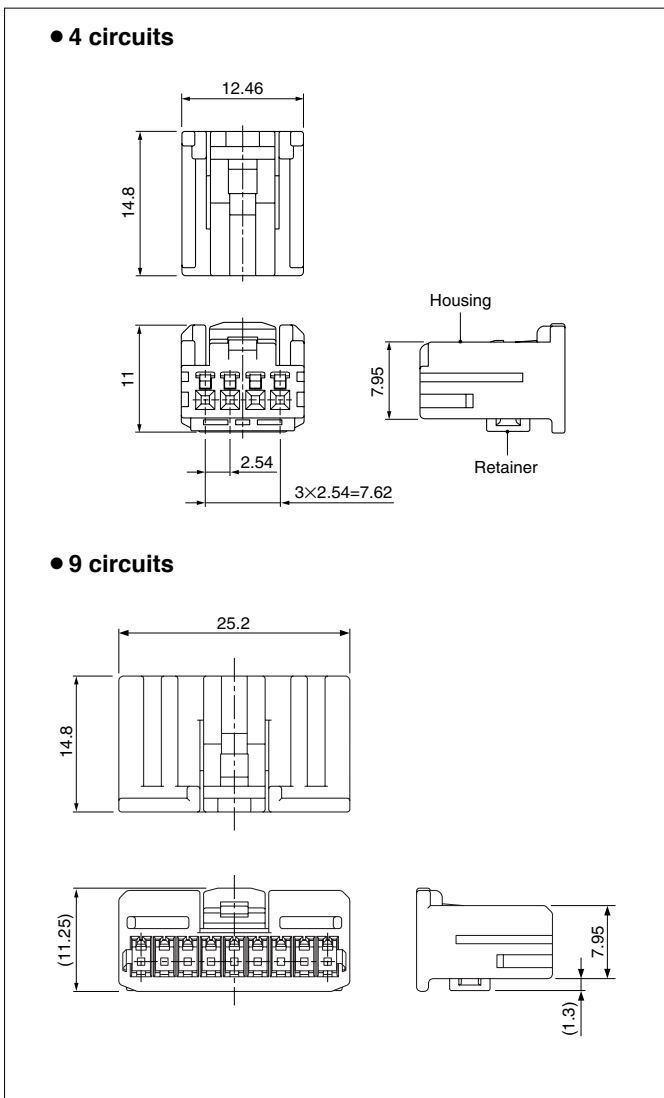


Model No.	Applicable wire range		Q'ty/reel
	Conductor (mm <sup>2</sup> )	Insulation O.D. (mm)	
<b>SHCM-A03T-P025</b>	0.3 to 0.5	1.4 to 1.8	5,000

### Material and Finish

Copper alloy, tin-plated (reflow treatment)

## Female connector



Circuits	Model No.	Q'ty/box
4	<b>HCMPB-04-K</b>	600
9	<b>HCHFB-09-KE</b>	300

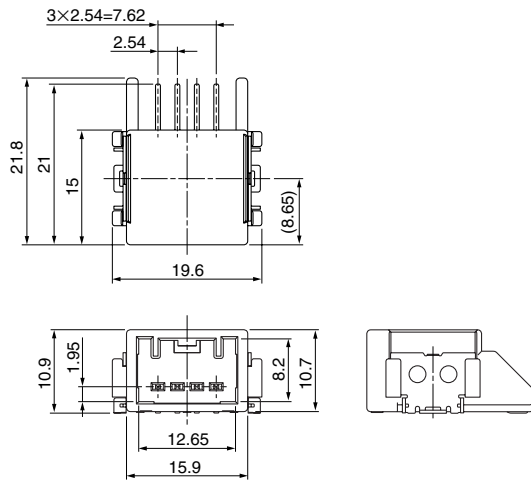
### Material

Housing: PBT, black  
Retainer: PBT, blue

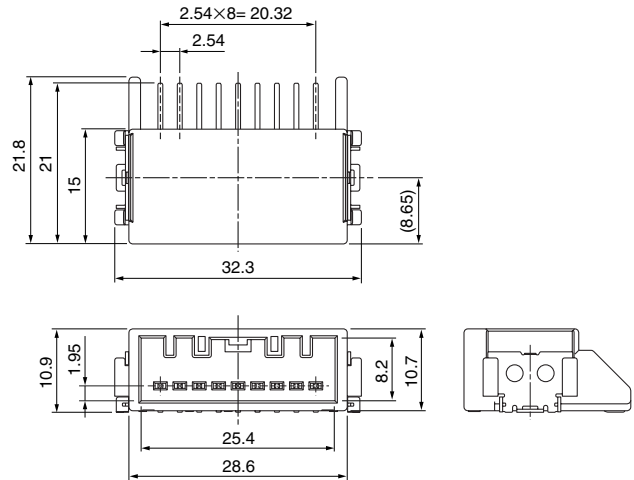
# HCH CONNECTOR

## Male connector

### ● 4 circuits



### ● 9 circuits



Circuits	Model No.	Q'ty/reel
4	<b>SM04B-HCHK-TB</b>	220
9	<b>SM09B-HCHK-TB</b>	220

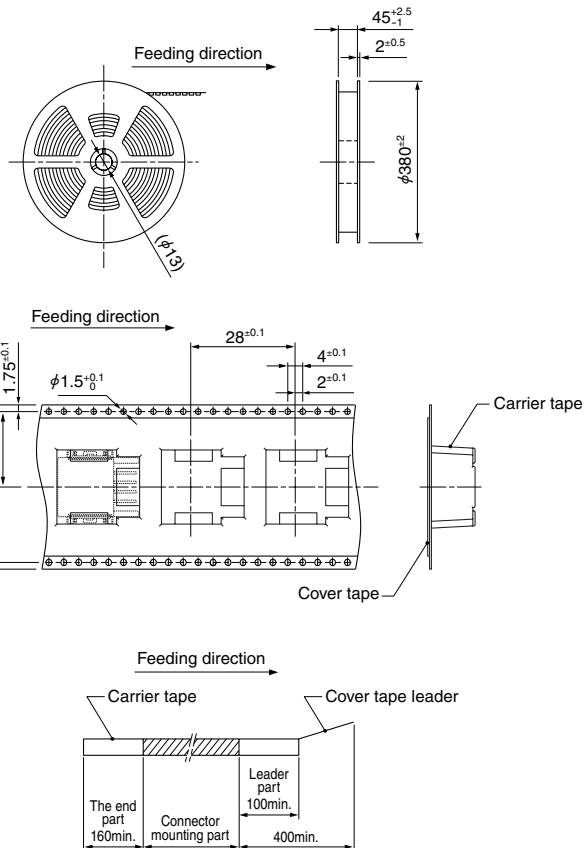
#### Material and Finish

Housing: Glass-filled LCP, black  
 Terminal: Brass, nickel-undercoated, tin-plated  
 Reinforcing tab: Brass, nickel-undercoated, tin-plated

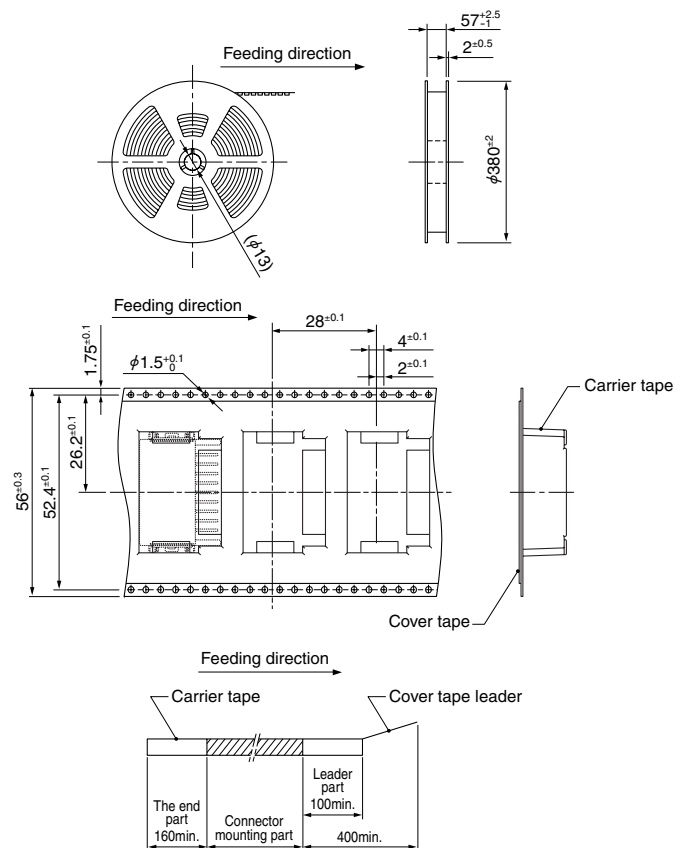
Note: This product displays (LF)(SN) on a label.

## Taping Specifications

### ● 4 circuits

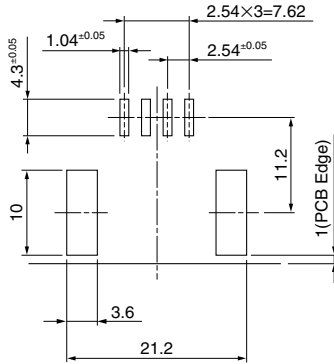


### ● 9 circuits

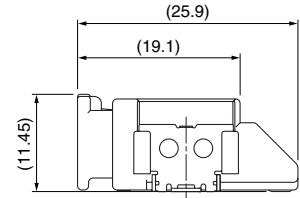
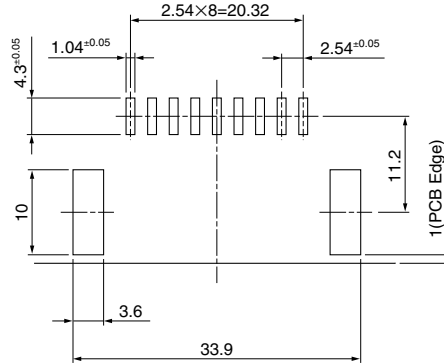


## PC board layout, Assembly layout

### ● 4 circuits



### ● 9 circuits



Note: 1. Tolerances are non-cumulative:  $\pm 0.05\text{mm}$  for all centers.  
 2. The dimensions above should serve as guideline. Contact JST for details.

## Crimping machine, Applicator

Strip terminal	Crimping machine	Crimp applicator MKS-L	
		Dies	Crimp applicator with dies
SHCM-A03T-P025	AP-K2N	MK/SHCM-A03-025	APLMK SHCM-A03-025

Note: When crimping operation is conducted using an applicator and die set other than the above, JST cannot guarantee the performance of the terminal.