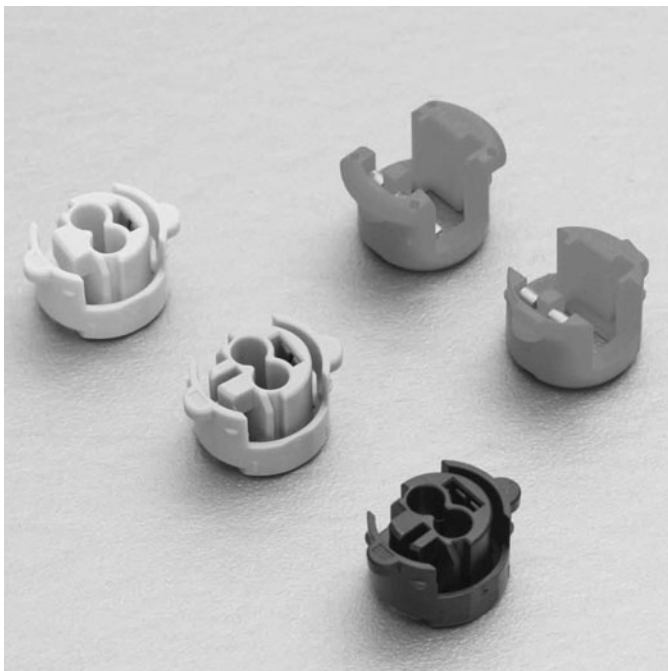


SHUNT RING

Squib connectors



Connector for an inflator.

Features

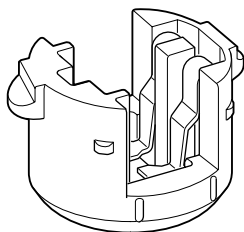
● Scooping (kojiri) preventive construction

Using a shunt ring with a mating harness connector, the resistance to scooping (kojiri) insertion and withdrawal on the assembly line is improved.

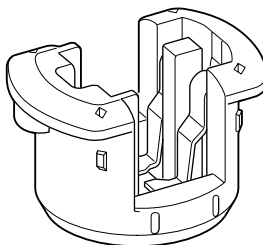
● Variation

Colors and keying codes are set up according to the standard.

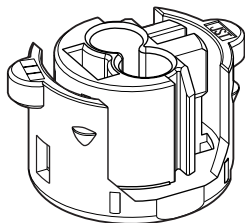
● AK-1 type



● Anti-scooping (kojiri) type



● AK-2 type



Specifications

<AK-1 type, Anti-scooping (kojiri) type>

- Temperature range: -30°C to +80°C
(including temperature rise in applying electrical current)
- Insulation resistance: 100 MΩ min.

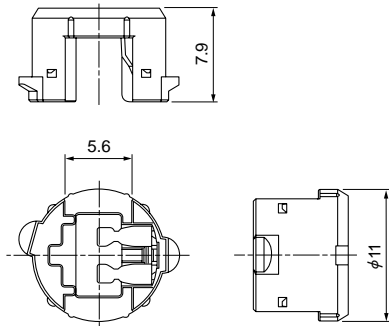
<AK-2 type>

- Temperature range: -30°C to +85°C
(including temperature rise in applying electrical current)
- Insulation resistance: 100 MΩ min.

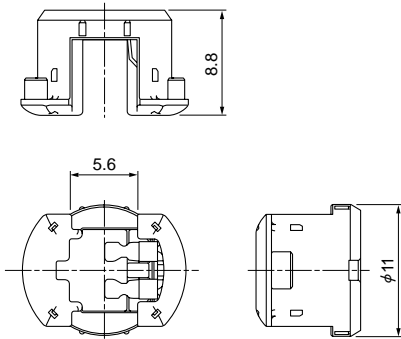
- * Compliant with ELV/RoHS.
- * Contact JST for details.

Shunt ring

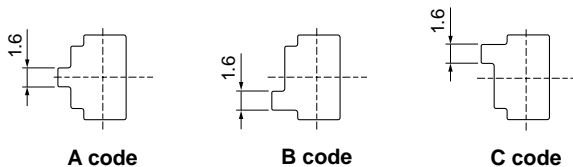
● AK-1 type



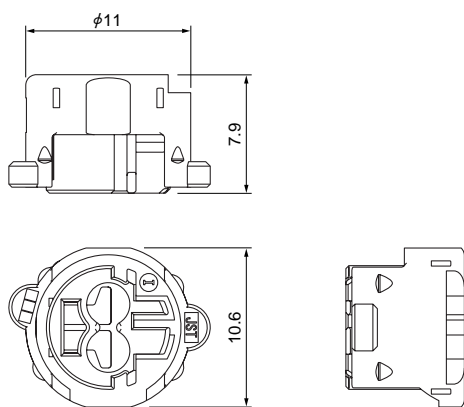
● Anti-scooping (kojiri) type



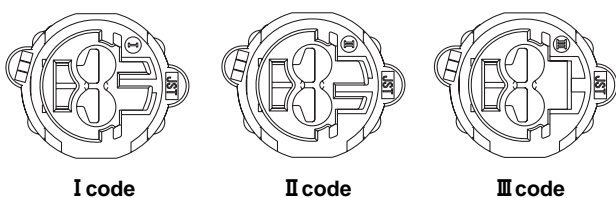
● Keying figure



● AK-2 type



● Keying figure



| Type | Keying figure | Model No. | Q'ty/box | Color |
|-----------------------------|---------------|-----------------|----------|--------------|
| AK-1 type | A code | 02-SQS-GF-2A-K | 10,000 | Black |
| | | 02-SQS-GF-2A-R | 10,000 | Red |
| | | 02-SQS-GF-2A-E | 10,000 | Blue |
| | | 02-SQS-GF-2A-Y | 10,000 | Yellow |
| | | 02-SQS-GF-2A-LP | 10,000 | Light purple |
| | B code | 02-SQS-GF-2B-M | 10,000 | Green |
| | | 02-SQS-GF-2B-H | 10,000 | Gray |
| | C code | 02-SQS-GF-2C-MK | 10,000 | Mikan |
| | | 02-SQS-GF-2C-P | 10,000 | Purple |
| | | 02-SQS-GF-2C-D | 10,000 | Orange |
| Anti-scooping (kojiri) type | A code | 02-SQS-GF-1A-K | 3,000 | Black |
| | | 02-SQS-GF-1A-Y | 3,000 | Yellow |
| | | 02-SQS-GF-1A-LP | 3,000 | Light purple |
| | | 02-SQS-GF-1A-N | 3,000 | Brown |
| | | 02-SQS-GF-1A-E | 3,000 | Blue |
| | B code | 02-SQS-GF-1B-M | 3,000 | Green |
| | C code | 02-SQS-GF-1C-D | 3,000 | Orange |

Material and Finish

Terminal: Copper alloy, nickel-undercoated, Contact area; gold-plated
Housing: Glass-filled PBT

| Type | Keying figure | Model No. | Q'ty/box | Color |
|-----------|---------------|------------------|----------|-------------|
| AK-2 type | I code | 02-SQSK-GI-2A-K | 3,000 | Black |
| | II code | 02-SQSK-GI-2B-LM | 3,000 | Light green |
| | III code | 02-SQSK-GI-2C-Y | 3,000 | Yellow |

Material and Finish

Terminal: SUS, nickel-undercoated, Selective gold-plated
Housing: Glass-filled PBT