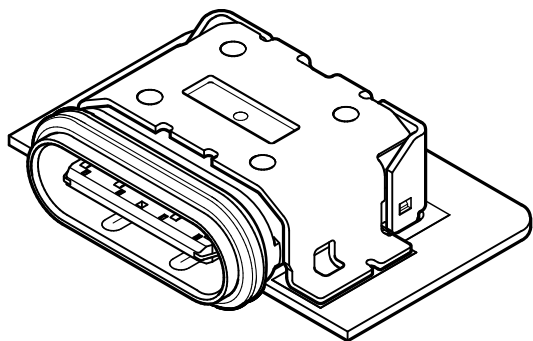




UBC CONNECTOR

USB (Universal Serial Bus) Conforming connector (Waterproof)



This is a dustproof and waterproof interface connector conforming to the USB (Universal Serial Bus) Type-C standard.

The reversible structure allows the insertion and withdrawal without worrying about the direction of the plug.

It has the dustproof and waterproof performance of IP67 level.

- Having IP67 level of dustproof and waterproof performance
- Assuring 10,000 cycles insertion and withdrawal as durability
- Providing robust structure by double shell structure
- Contact leads: Dual rows SMT type

Specifications

- Current rating: 1.25 A/Pin AC/DC Vbus (A4, A9, B4, B9)
GND (A1, A12, B1, B12)
CC1 (A5), CC2 (B5)
: 0.25 A/Pin AC/DC Other circuits
- Voltage rating: 20 V AC/DC
- Temperature range: -25°C to +85°C
(including temperature rise in applying electrical current)
- Contact resistance: Initial value/ 40 mΩ max.
After environmental tests/ 50 mΩ max.
- Insulation resistance: 100 MΩ min.
- Withstanding voltage: 100 VAC/minute

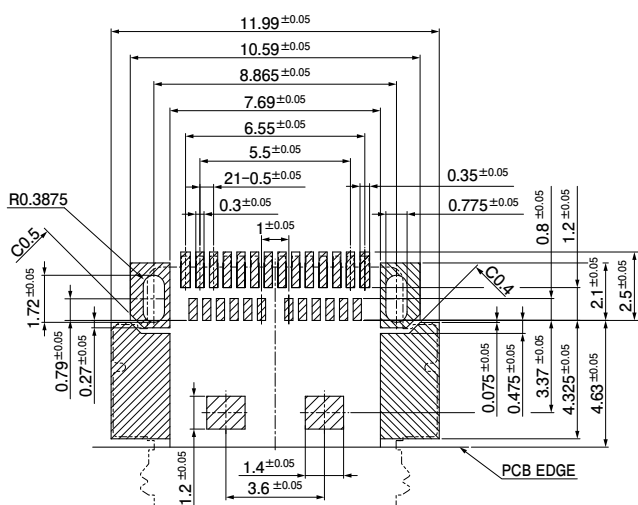
* In using the products, refer to "Handling Precautions for Terminals and Connectors" described on our website (Technical documents of Product information page).

* RoHS2 compliance

* Dimensional unit: mm

* Contact JST for details.

PC board layout



M	A1	A2	A3	A4	A5	A6	A7	A8	A9	A10	A11	A12	M
Mid Plate	GND	TX1+	TX1-	Vbus	CC1	D+	D-	SBU1	Vbus	RX2-	RX2+	GND	Mid Plate

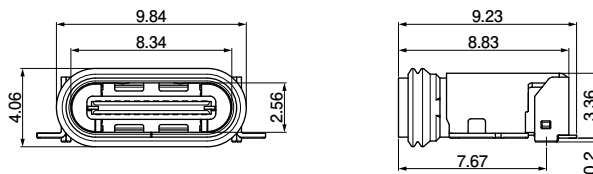
B12	B11	B10	B9	B8	B7	B6	B5	B4	B3	B2	B1
GND	RX1+	RX1-	Vbus	SBU2	D-	D+	CC2	Vbus	TX2-	TX2+	GND

PIN ASSIGNMENT

Receptacle

On-board type

TID No. : 5,200,000,471



Q'ty/reel:1,200 pcs.

Model No.	Material and Finish	
UBC-RW511-56C-7BTS(HF)	Contact A	Copper alloy, nickel-undercoated, selective nickel-palladium alloy-plated
	Contact B	selective gold-plated
	Housing A	Heat resisting resin, UL94V-0, black
	Housing B	
	EMC pads	Stainless steel
	Mid-plate	Stainless steel, nickel-undercoated, selective gold-plated
	Shell	
	Tab	Stainless steel, nickel-undercoated, tin-plated
	Oring	Silicone rubber
	Gasket	Cured resin
	Sealant	

RoHS2 compliance