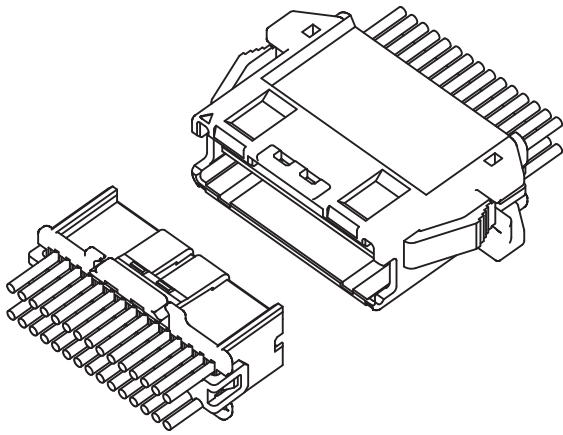


ZND CONNECTOR

1.5 mm pitch/ Wire-to-wire connector



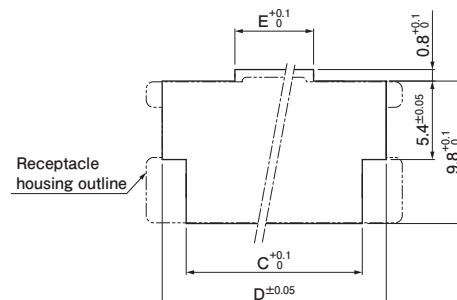
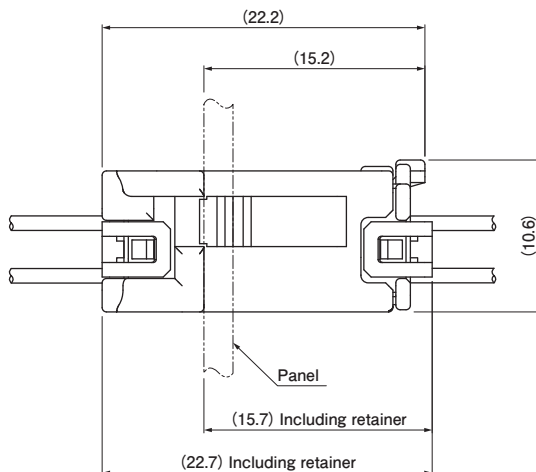
This is the 1.5 mm pitch dual-row type wire-to-wire connector with secure locking device that is correspondent to the high-density equipment design. A good mating feel makes the occurrence of incomplete mating suppressed.

- Secure lock mechanism
- Retainer mountable type
- Panel locking mechanism
- Superior insertion/withdrawal operability (low insertion force type)
- Development of keying is enabled.

Specifications

- Current rating: 2 A AC/DC (AWG #24)
 - Voltage rating: 100 V AC/DC
 - Temperature range: -25°C to +85°C
(including temperature rise in applying electrical current)
 - Contact resistance:
 - Initial value/ 15 mΩ max.
 - After environmental tests/ 25 mΩ max.
 - Insulation resistance: 500 MΩ min.
 - Withstanding voltage: 500 VAC/minute
 - Applicable wire range:
 - Conductor size/ AWG #28 to #24
 - Insulation O.D/ ϕ 0.76 mm to ϕ 1.3 mm upon not using a retainer
 - ϕ 1.0 mm to ϕ 1.3 mm upon using a retainer
 - Applicable panel thickness: 0.5 to 2.0 mm
- * In using the products, refer to "Handling Precaution for Terminals and Connectors" described on our website (Technical documents of Product information page).
- * RoHS2 compliance
- * Dimensional unit: mm
- * Contact JST for details.

Assembly layout and Panel layout

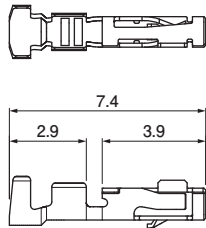


Note: Dimensions C, D, and E: See receptacle housing section.

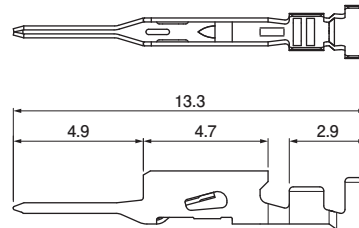
ZND CONNECTOR

Contact

Socket contact



Pin contact



Socket contact

Model No.	Applicable wire range		Q'ty/ reel	
	Conductor size	AWG (mm ²)		Insulation O.D. (mm)
SZND-002T-P0.5	#28 to #24	(0.08 to 0.21)	0.76 to 1.3 ^(Note)	23,000

Material and Finish

Copper alloy, tin-plated

RoHS2 compliance

Note: The insulation O.D. is ϕ 1.0 mm to ϕ 1.3 mm upon using a retainer.

Crimping machine

Contact	Crimping machine	Applicator	Crimp applicator with dies
SZND-002T-P0.5	AP-K2N	MKS-L	APLMK SZND/M002-05

Note: Contact JST for fully automatic crimping applicator.

Pin contact

Model No.	Applicable wire range		Q'ty/ reel	
	Conductor size	AWG (mm ²)		Insulation O.D. (mm)
SZNDM-002T-P0.5	#28 to #24	(0.08 to 0.21)	0.76 to 1.3 ^(Note)	14,000

Material and Finish

Copper alloy, tin-plated

RoHS2 compliance

Note: The insulation O.D. is ϕ 1.0 mm to ϕ 1.3 mm upon using a retainer.

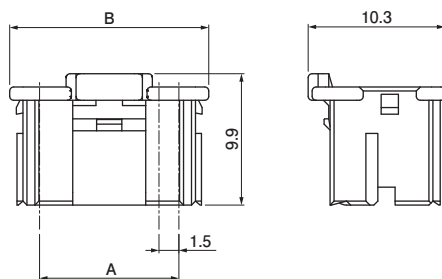
Crimping machine

Contact	Crimping machine	Applicator	Crimp applicator with dies
SZNDM-002T-P0.5	AP-K2N	MKS-L	APLMK SZND/M002-05

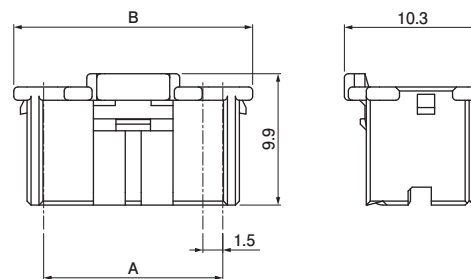
Note: Contact JST for fully automatic crimping applicator.

Socket housing (for socket contact)

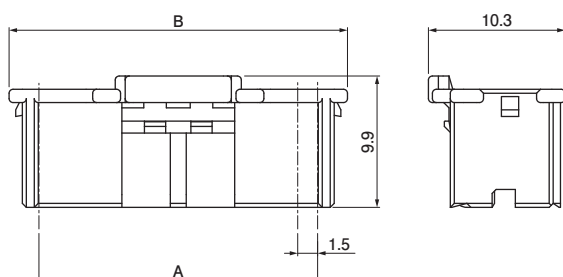
<16 circuits>



<24 circuits>



<32, 40 circuits>



No. of circuits	Model No.	Dimensions (mm)		Q'ty/bag
		A	B	
16	ZNDP-16V-A-S	10.5	15.0	1,000
24	ZNDP-24V-A-S	16.5	21.0	1,000
32	ZNDP-32V-A-S	22.5	27.0	1,000
40	ZNDP-40V-A-S	28.5	33.0	700

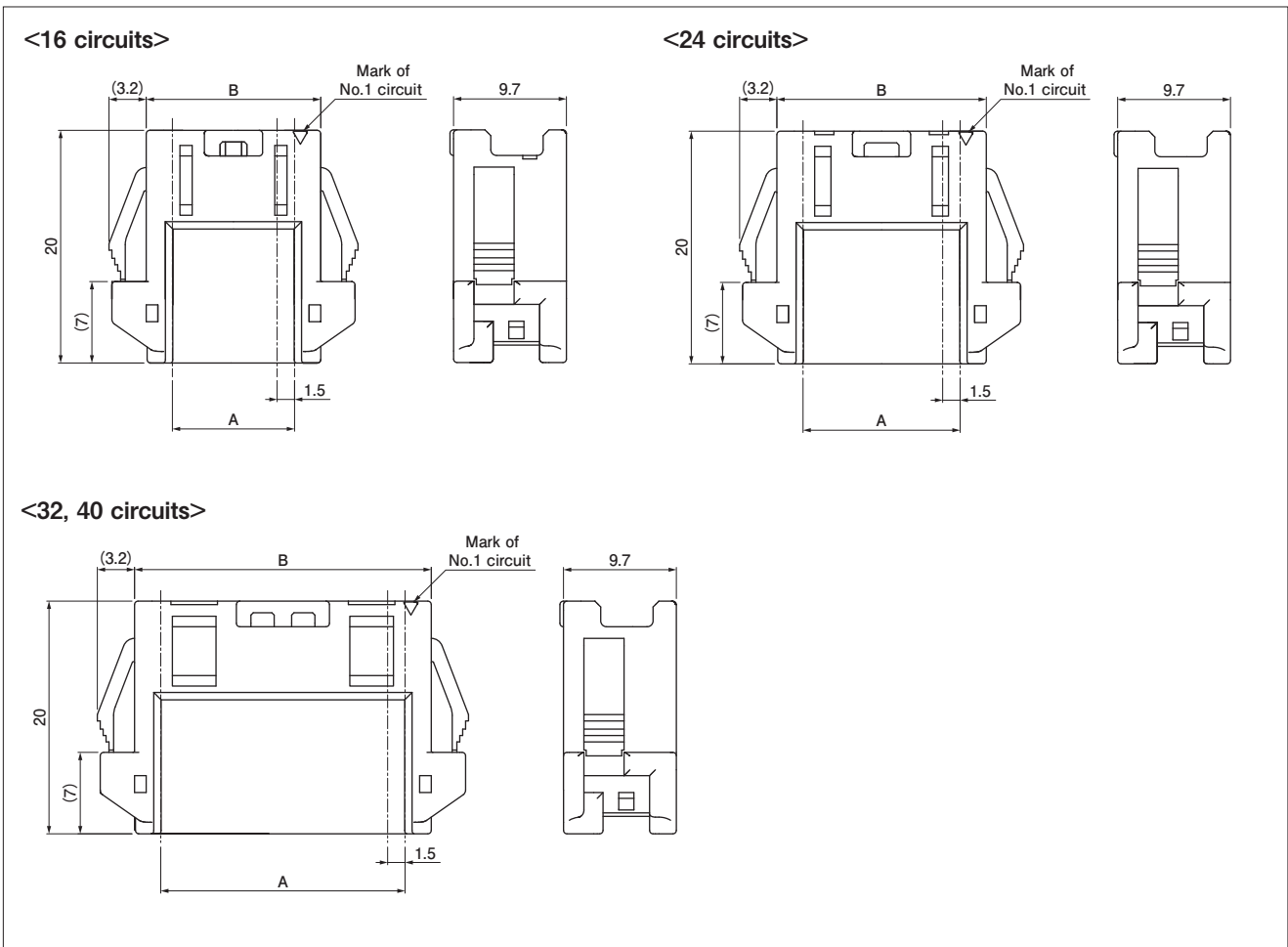
Material and Finish

PA 66 (Glass-filled), UL94V-0, natural

RoHS2 compliance

ZND CONNECTOR

Receptacle housing (for pin contact)

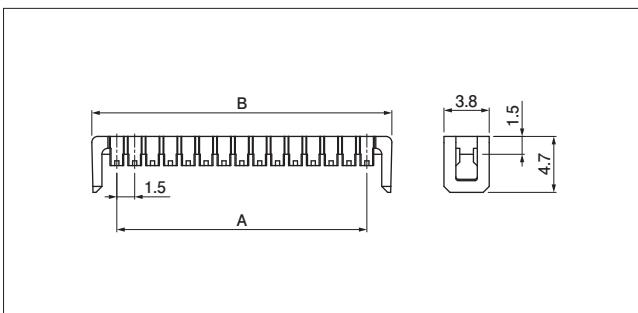


No. of circuits	Model No.	Dimensions (mm)					Q'ty/bag
		A	B	C	D	E	
16	ZNDRR-16V-A-S	10.5	15.0	15.4	18.7	6.0	200
24	ZNDRR-24V-A-S	16.5	21.0	21.4	24.7	6.0	200
32	ZNDRR-32V-A-S	22.5	27.0	27.4	30.7	9.0	200
40	ZNDRR-40V-A-S	28.5	33.0	33.4	36.7	9.0	200

Material and Finish
PA 66, UL94V-0, natural

RoHS2 compliance
Note: Dimensions C, D, and E: Panel layout dimensions

Retainer



No. of circuits	Model No.	Dimensions (mm)		Q'ty/bag
		A	B	
16	ZNDS-16V-K	10.5	14.7	2,000
24	ZNDS-24V-K	16.5	20.7	2,000
32	ZNDS-32V-K	22.5	26.7	2,000
40	ZNDS-40V-K	28.5	32.7	2,000

Material and Finish
PA 66 (Glass-filled), UL94V-0, black

RoHS2 compliance

Model number allocation

Pin contact

S ZND M - 002 T - P 0.5

Contact form: S...Strip form
 Series name
 Part name: M...Pin contact
 Applicable wire range: 002...AWG #28 to #24
 Surface finish: T...Tin-plated
 Material: P...Copper alloy
 Terminal size

Socket contact

S ZND - 002 T - P 0.5

Contact form: S...Strip form
 Series name
 Applicable wire range: 002...AWG #28 to #24
 Surface finish: T...Tin-plated
 Material: P...Copper alloy
 Terminal size

Socket housing

ZND P - 16 V - A - S

Series name
 Part name: P...Plug
 No. of circuits
 Flammability: V...UL94V-0
 Key pattern: A...Key pattern A
 Color: S...Natural

Receptacle housing

ZND RR - 16 V - A - S

Series name
 Part name: RR...Receptacle
 (Retainer mountable type)
 No. of circuits
 Flammability: V...UL94V-0
 Key pattern: A...Key pattern A
 Color: S...Natural

Retainer

ZND S - 16 V - K

Series name
 Part name: S...Retainer
 No. of circuits
 Flammability: V...UL94V-0
 Color: K...Black