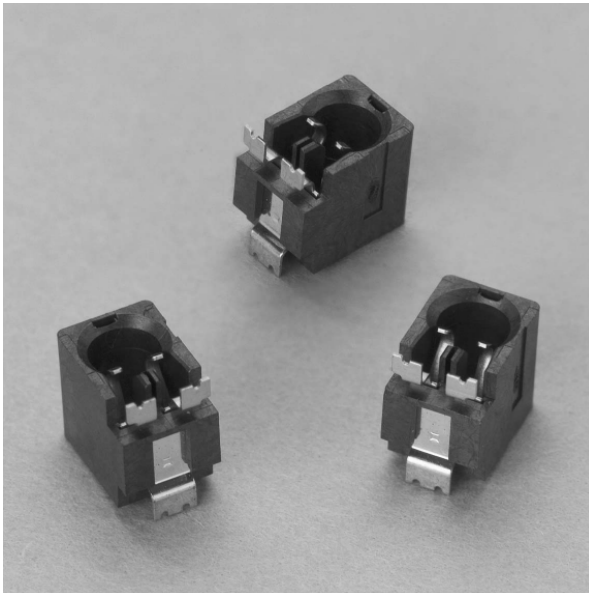
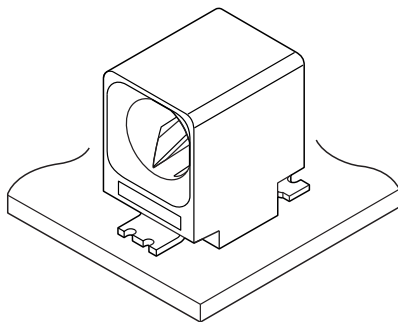


AN CONNECTOR



Two types of connector for antenna connection of mobile phones; one is for a diameter of 2.6.



Features

• **Durability**

Highly reliable structure guarantees up to 10,000 insertion and withdrawal operations.

• **Embossed tape for automatic mounting**

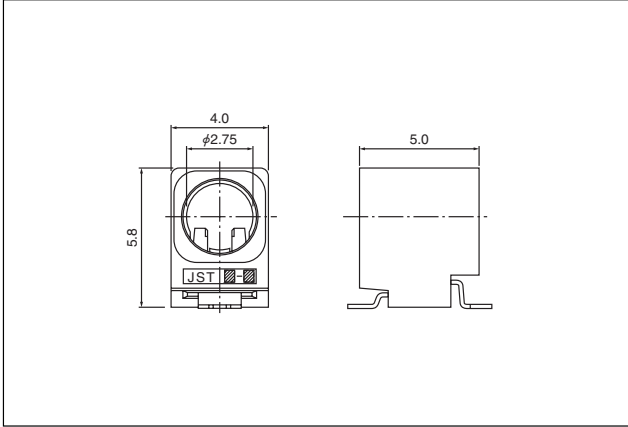
Supplied in embossed tape packaging for automatic surface mounting operation.

Specifications

- Current rating: 0.5A AC, DC
 - Voltage rating: 50V AC, DC
 - Temperature range: -40°C to +85°C
(including temperature rise in applying electrical current)
 - Contact resistance: Initial value/30m Ω max.
After environmental testing/50m Ω max.
 - Insulation resistance: 500M Ω min.
 - Withstanding voltage: 500V AC/minute
- * Compliant with RoHS.
* Refer to "General Instruction and Notice when using Terminals and Connectors" at the end of this catalog.
* Contact JST for details.

AN CONNECTOR

Connector



Model No.	Q'ty / reel
AN-A-2S-32-TF	1,000

Material and Finish

Contact: Copper alloy, nickel-undercoated, gold-plated
 Housing: LCP, UL94V-0, black
 Solder tab: Copper alloy, copper-undercoated, tin-plated (reflow treatment)

RoHS compliance This product displays (LF)(SN) on a label.

PC board layout (viewed from component side)

