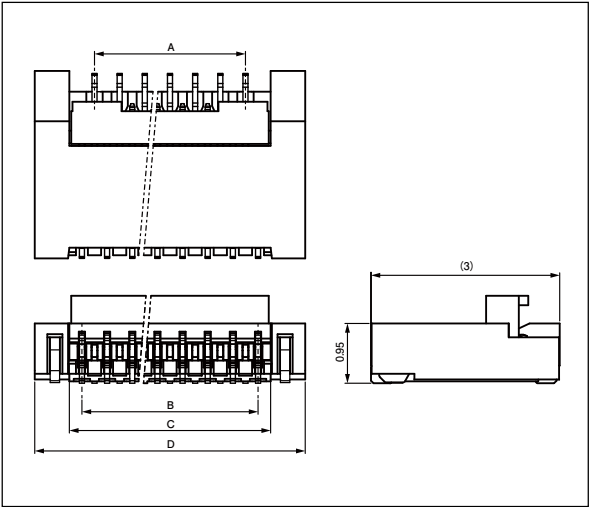


FVR CONNECTOR

Connector



No. of circuits	Model No.	Dimensions (mm)				Q'ty/ reel
		A	B	C	D	
39	39FVR-SM1-GAN-TB(HF)	7.2	7.6	8.0	9.1	5,500
51	51FVR-SM1-GAN-TB(HF)	9.6	10.0	10.4	11.5	5,500
61	61FVR-SM1-GAN-TB(HF)	11.6	12.0	12.4	13.5	5,500
71	71FVR-SM1-GAN-TB(HF)	13.6	14.0	14.4	15.5	5,500

Material and Finish

Contact: Copper alloy, nickel-undercoated, selective gold-plated
 Housing: Heat resisting resin, UL94V-0, (black)
 Cover: Heat resisting resin, UL94-HB (gray)
 Reinforcement: Copper alloy, copper-undercoated, tin-plated

The product listed above is supplied on embossed-tape.

Dimensions of FPC lead section

