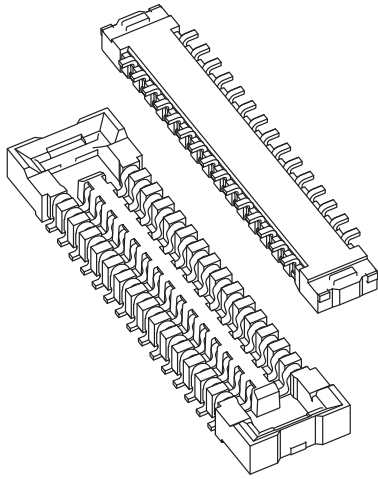


# JAK CONNECTOR

0.4mm pitch/Board-to-board connectors



This is space saving type board-to-board connector with 0.4 mm pitch, 0.8 mm between PC boards and 2.0 mm product width.

- Contact lock structure
- Two points contact structure
- Wiping contact structure
- No prohibition area

## Specifications

- Current rating: 0.3 A AC, DC
- Voltage rating: 30 V AC, DC
- Temperature range: -25°C to +85°C  
(including temperature rise in applying electrical current)
- Contact resistance: Initial value/ 50 mΩ max.  
After environmental tests/ 80 mΩ max.
- Insulation resistance: 100 MΩ min.
- Withstanding voltage: 250 VAC/minute

\* Refer to "General Instruction and Notice when using Terminals and Connectors" at the end of this catalog.

\* Contact JST for details.

\* Compliant with RoHS.

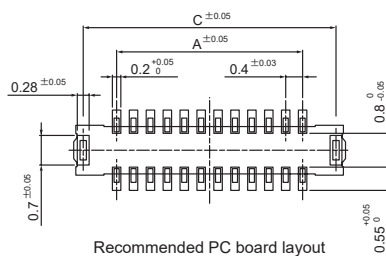
## Standards

Recognized E60389

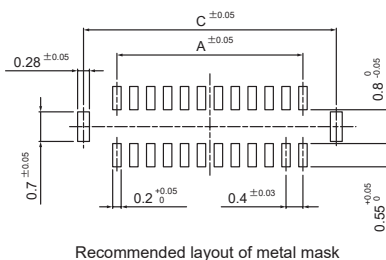
Certified LR20812

## PC board layout and Assembly layout

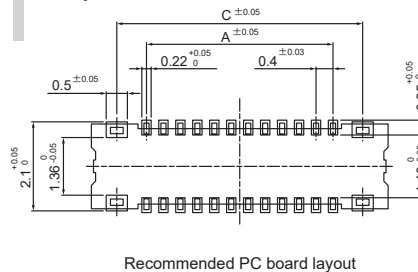
### Plug



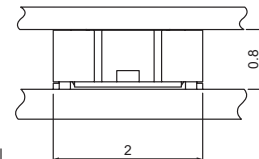
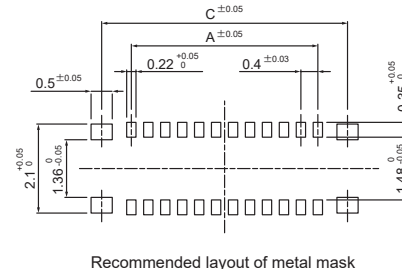
- Metal mask thickness : 100 μm



### Receptacle



- Metal mask thickness : 100 μm



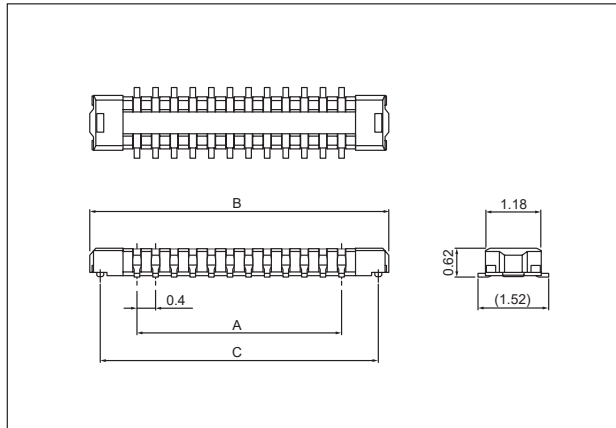
Note: 1. The above figure is the figure viewed from the connector mounting side.

2. Tolerances are non-cumulative: ±0.03 mm for all centers. The dimensions above should serve as a guideline. Contact JST for details.

3. Contact JST for nitrogen (N<sub>2</sub>) reflow soldering.

# JAK CONNECTOR

## Plug



Circuits	Model No.	Dimensions (mm)			Q'ty/ reel
		A	B	C	
10	<b>10P-JAKK-GSAN-TF(HF)</b>	1.6	3.63	3.18	15,000
16	<b>16P-JAKK-GSAN-TF(HF)</b>	2.8	4.83	4.38	15,000
24	<b>24P-JAKK-GSAN-TF(HF)</b>	4.4	6.43	5.98	15,000
30	<b>30P-JAKK-GSAN-TF(HF)</b>	5.6	7.63	7.18	15,000
40	<b>40P-JAKK-GSAN-TF(HF)</b>	7.6	9.63	9.18	15,000

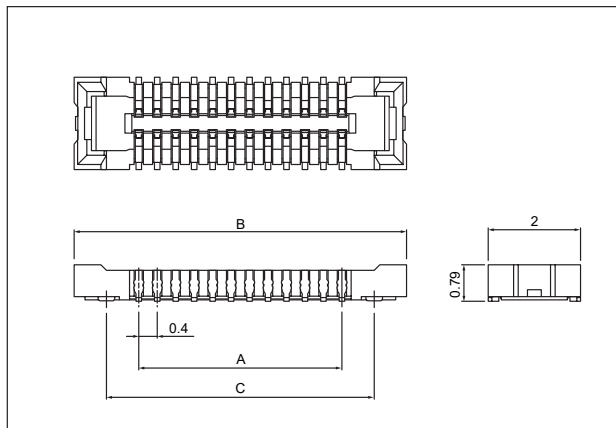
### Material and Finish

Contact: Phosphor bronze, nickel-undercoated, gold-plated (nickel stripe)  
Housing: LCP, UL94V-0  
Reinforcing tab: Brass, copper-undercoated, tin-plated (reflow treatment)

### RoHS compliance

Note: These products listed above are supplied on embossed-tape.

## Receptacle



Circuits	Model No.	Dimensions (mm)			Q'ty/ reel
		A	B	C	
10	<b>10R-JAKK-GSAN-TF(HF)</b>	1.6	4.4	3.0	15,000
16	<b>16R-JAKK-GSAN-TF(HF)</b>	2.8	5.6	4.2	15,000
24	<b>24R-JAKK-GSAN-TF(HF)</b>	4.4	7.2	5.8	15,000
30	<b>30R-JAKK-GSAN-1-TF(HF)</b>	5.6	8.4	7.0	15,000
40	<b>40R-JAKK-GSAN-1-TF(HF)</b>	7.6	10.4	9.0	15,000

### Material and Finish

Contact: Phosphor bronze, nickel-undercoated, gold-plated (nickel stripe)  
Housing: LCP, UL94V-0  
Reinforcing tab: Brass, copper-undercoated, tin-plated (reflow treatment)

### RoHS compliance

Note: These products listed above are supplied on embossed-tape.