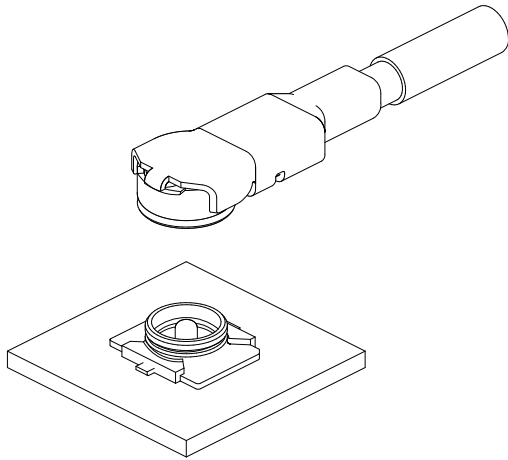




AYU2T CONNECTOR

Micro coaxial connector



The AYU2T is a compact, coaxial connector commonly used in antenna modules for high frequency bands up to 20 GHz.

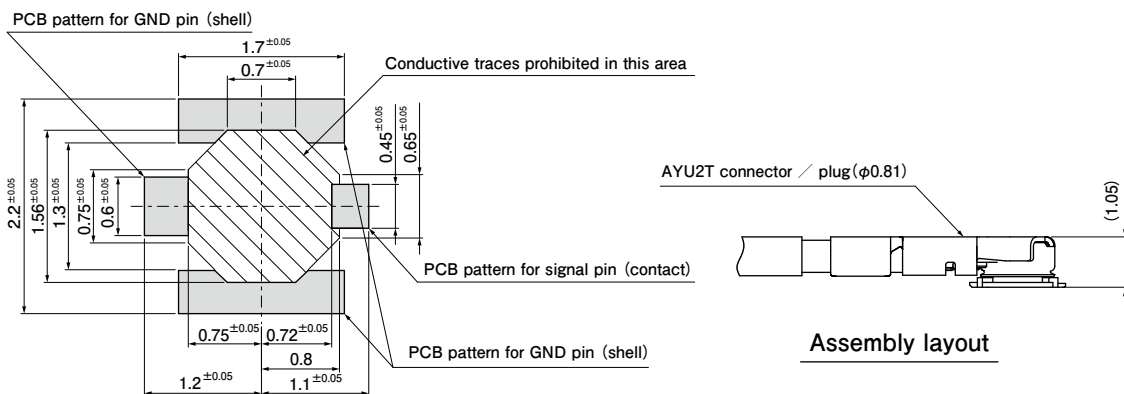
- Space-saving and low profile design
- Frequency range: DC to 20 GHz
- Embossed tapping for automatic pick-and-place machine

Specifications

- Current rating : 0.3 A AC/DC
- Voltage rating : 30 Vrms
- Temperature range : -25°C ~ +85°C
(including temperature rise in applying electrical current)
- Contact resistance :

Contact	Initial value / 30 mΩ max
	After environmental tests / 30 mΩ max
Shell	Initial value / 30 mΩ max
	After environmental tests / 30 mΩ max
- Insulation resistance : 500 MΩ min.
- Withstanding voltage :
There shall be no breakdown or flashover while applying 100 VAC for one minute.
- Characteristic impedance : 50 Ω
- Applicable coaxial cable : φ 0.81
- * RoHS2 and halogen-free compliant products are listed.
- * Dimensional unit: mm
- * Please contact JST about mating of this product with similar products from other manufacturers.
- * Contact JST for details.

PC board layout and Assembly layout

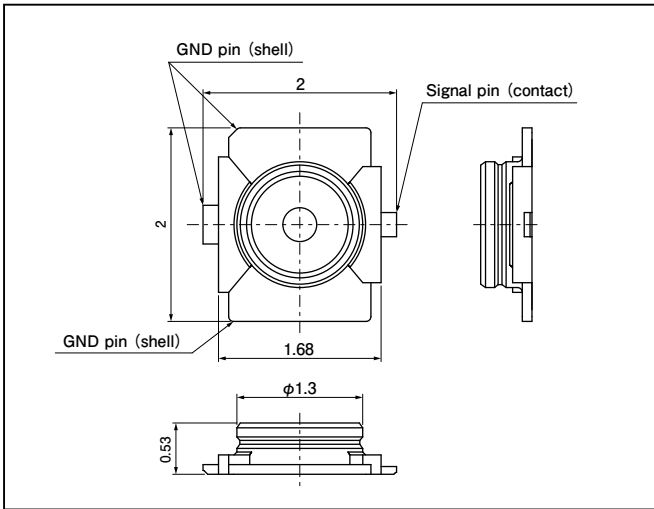


Recommended PC board layout

Note: The dimensions shown above are JST recommended values

AYU2T CONNECTOR

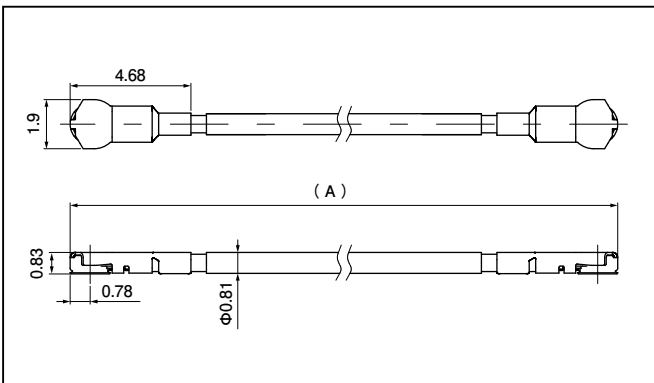
Receptacle



Model No.	Material and Surface finish, etc.
AYU2T-1B-GA-GA-ETY (HF)	Contact : Copper alloy, nickel-undercoated, selective gold-plated Shell : Copper alloy, nickel-undercoated, selective gold-plated Housing : Heat resistant resin, UL94V-0, black

This product is supplied on embossed tape and reel packaging.

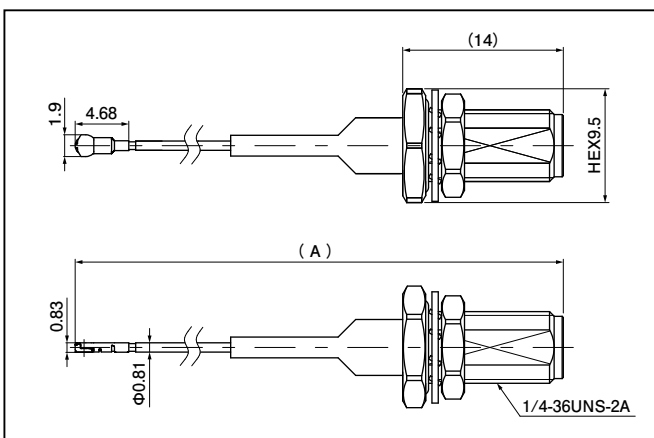
Plug Harness



Model No.	Material and Surface finish, etc.
AYU2T-1HBR-D***N (HF)	Contact : Copper alloy, nickel-undercoated, selective gold-plated Shell : Copper alloy, nickel-undercoated, selective gold-plated Housing : Thermoplastic resin, UL94V-0, black Coaxial cable : ϕ 0.81, red

Wire length (mm)	Model No.	Dimension A (mm)
100	AYU2T-1HBR-D100N (HF)	104.3
150	AYU2T-1HBR-D150N (HF)	154.3
200	AYU2T-1HBR-D200N (HF)	204.3
250	AYU2T-1HBR-D250N (HF)	254.3

Plug harness with SMA



Model No.	Material and Surface finish, etc.
AYU2T-1HBR-S***S (HF)	Contact : Copper alloy, nickel-undercoated, selective gold-plated Shell : Copper alloy, nickel-undercoated, selective gold-plated Housing : Thermoplastic resin, UL94V-0, black SMA connector (Jack) Heat shrink tube : black Coaxial cable : ϕ 0.81, red

Wire length (mm)	Model No.	Dimension A (mm)
100	AYU2T-1HBR-S100S (HF)	112.15
150	AYU2T-1HBR-S150S (HF)	162.15
200	AYU2T-1HBR-S200S (HF)	212.15
250	AYU2T-1HBR-S250S (HF)	262.15

AYU2T CONNECTOR

Model number allocation

Receptacle

	AYU2T	-	1	B	-	GA	-	GA	-	ETY	(HF)
Series name											
No. of circuits											
Part name: Receptacle											
Contact surface finish: Nickel-undercoated, selective gold-plated											
Shell surface finish: Nickel-undercoated, selective gold-plated											
Packaging style: Antistatic embossed tape and reel packaging											
Indication of halogen-free: Halogen-free (HF)											

Harness

	AYU2T	-	1	H	B	R	-	D	100	N	(HF)
Series name											
No. of circuits											
Part name: Harness											
Applicable wire size: $\phi 0.81$											
Wire color: Red											
No. of crimped positions: Double-ended crimped harness											
Wire length: 100 mm											
Special processing: No special processing (double-ended crimped harness)											
Indication of halogen-free: Halogen-free (HF)											